

/

Tailor-made Air Ducting&Diffusers

Number of pieces : 4

Shape Circular, Number of diameters 3, Size 500-400-315 mm, Total length 31000 mm (10000+500+10000+500+10000), First end Zip, Second end Blanking, 2pcs Zip 500, 2pcs Zip 400, 2pcs Zip 315, Airflow 1016,1 l/s (338,7+338,7+338,7), Available pressure 83 Pa, Altitude 214 m

Fabric NMS - 100% polyester, Endless fibres (multifilament), Weight 254 g/m², Thickness 0,31 mm, Permeability 0 m³/h/m² by 120 Pa, strength (warp/weft) 1810/1090 N (EN ISO 13934-1:1999), Fire resistance - B-s1, d0 according to EN 13501-1+A1: 2010, Temperature resistance -30 a +110°C, Washing shrinkage (warp/weft) 0,5/0,5 % by 40°C according to EN ISO 6330-2000, Suitable for cleanrooms - class No. 4 (EN ISO 14644-1), Washable in washing-machine, Colour Light grey



List of mounting material:

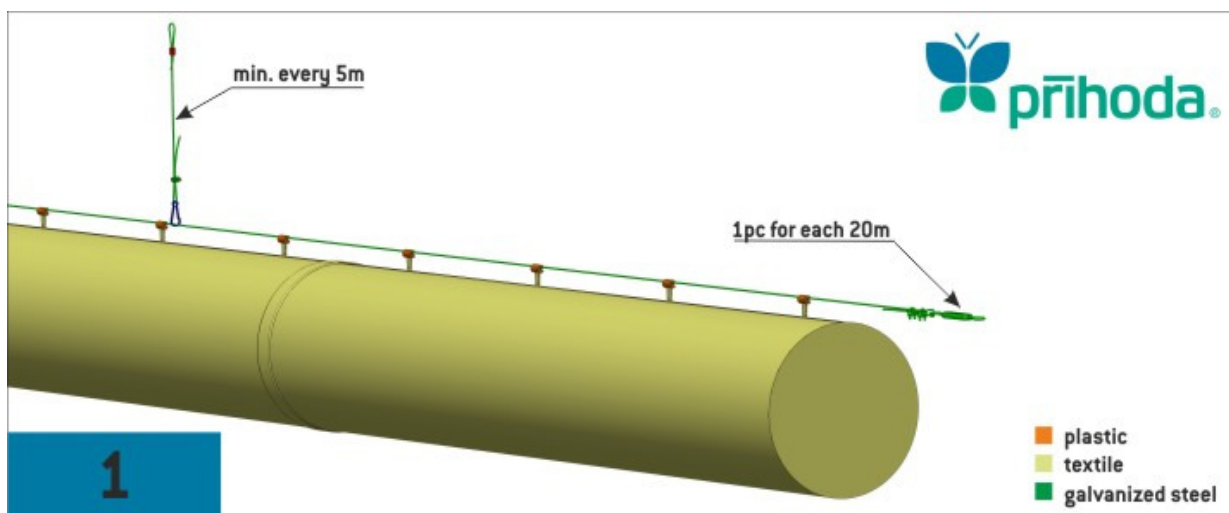
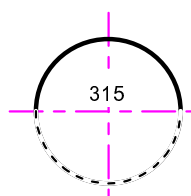
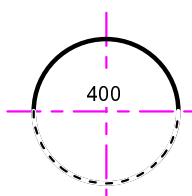
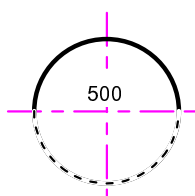
1pcs 36000 mm Plastic-coated galvanized wire, 4pcs Galvanized lock nut , 2pcs Galvanized turn buckle , 7pcs Plastic-coated wire hangers 1500 mm, 63pcs Plastic hooks 64/114/156 mm

Microperforation

S1 A 10000mm, 339l/s, Direction/Area 180/180

S2 A 10000mm, 339l/s, Direction/Area 180/180

S3 A 10000mm, 339l/s, Direction/Area 180/180



Price for 1 pc : 974,00 EUR

Total price for pos. 1 : 3896,00 EUR

Weight : 45 kg

/

Tailor-made Air Ducting&Diffusers

Number of pieces : 1

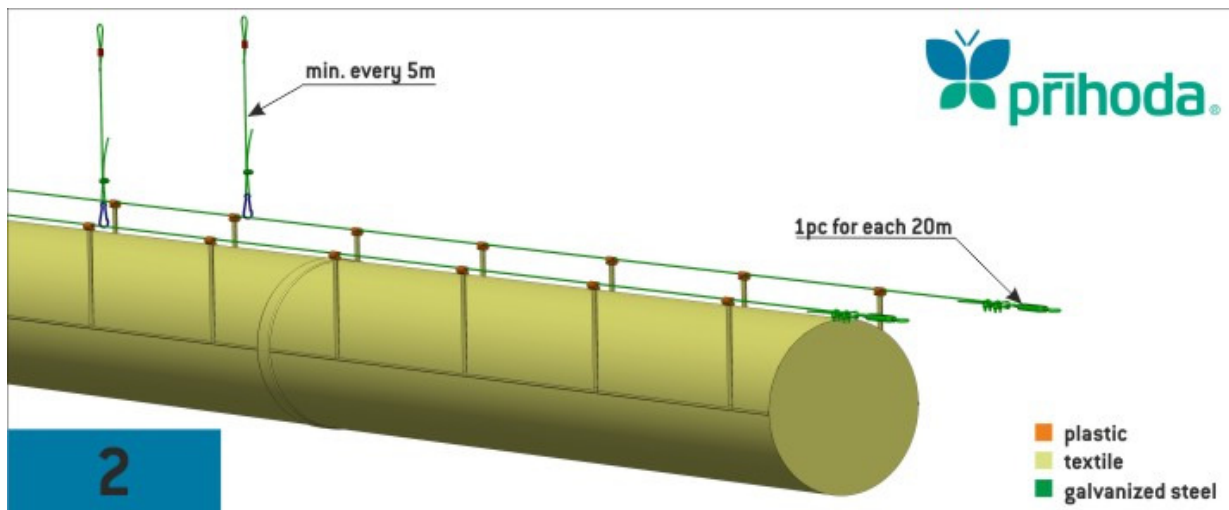
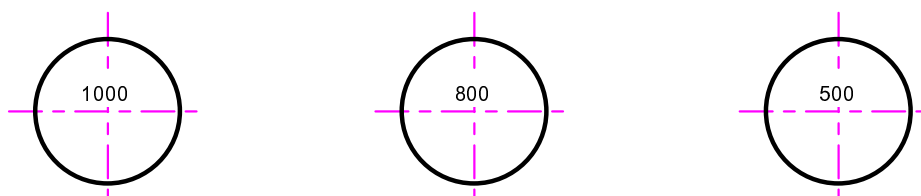
Shape Circular, Number of diameters 3, Size 1000-800-500 mm, Total length 43560 mm (24450+500+8815+500+9295), First end Hem, Second end Zip, 4pcs Zip 1000, 2pcs Zip 800, 3pcs Zip 500, Airflow 4064,4 l/s (0+0+0), Available pressure 100 Pa, 1 Arch 500 90°/4, Sewing together, Zip, Number of airflow outlets 4, 3 Adapter Circular 500, Zip, Altitude 214 m

Fabric NMS - 100% polyester, Endless fibres (multifilament), Weight 254 g/m², Thickness 0,31 mm, Permeability 0 m³/h/m² by 120 Pa, strength (warp/weft) 1810/1090 N (EN ISO 13934-1:1999), Fire resistance - B-s1, d0 according to EN 13501-1+A1: 2010, Temperature resistance -30 a +110°C, Washing shrinkage (warp/weft) 0,5/0,5 % by 40°C according to EN ISO 6330-2000, Suitable for cleanrooms - class No. 4 (EN ISO 14644-1), Washable in washing-machine, Colour Light grey



List of mounting material:

1pcs 97120 mm Plastic-coated galvanized wire, 8pcs Galvanized lock nut , 6pcs Galvanized turn buckle , 18pcs Plastic-coated wire hangers 1500 mm, 178pcs Plastic hooks 564/573/617 mm, 1pcs Circular 1000 mm Stainless steel strip



2

Price for 1 pc : 2888,00 EUR

Total price for pos. 2 : 2888,00 EUR

Weight : 35 kg

/

Tailor-made Air Ducting&Diffusers

Number of pieces : 2

Shape Circular, Number of diameters 4, Size 500-400-315-250 mm, Total length 34900 mm (8475+500+8475+500+8475+500+7975), First end Hem, Second end Blanking, 1pcs Zip 500, 2pcs Zip 400, 2pcs Zip 315, 1pcs Zip 250, Airflow 920 l/s (230+230+230+230), Available pressure 87 Pa, Altitude 214 m

Fabric NMS - 100% polyester, Endless fibres (multifilament), Weight 254 g/m², Thickness 0,31 mm, Permeability 0 m³/h/m² by 120 Pa, strength (warp/weft) 1810/1090 N (EN ISO 13934-1:1999), Fire resistance - B-s1, d0 according to EN 13501-1+A1: 2010, Temperature resistance -30 a +110°C, Washing shrinkage (warp/weft) 0,5/0,5 % by 40°C according to EN ISO 6330-2000, Suitable for cleanrooms - class No. 4 (EN ISO 14644-1), Washable in washing-machine, Colour Light grey

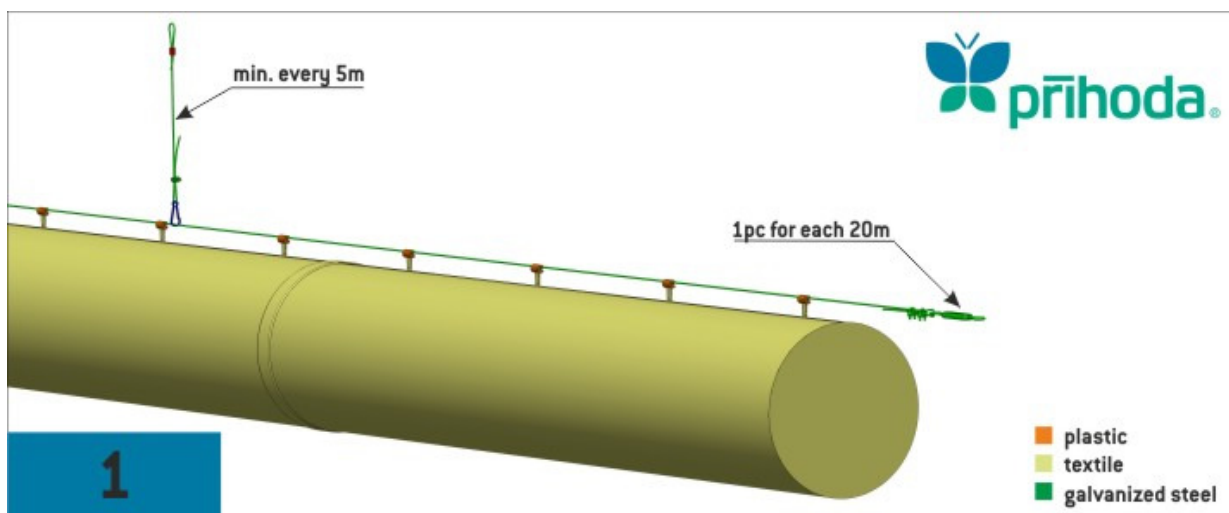
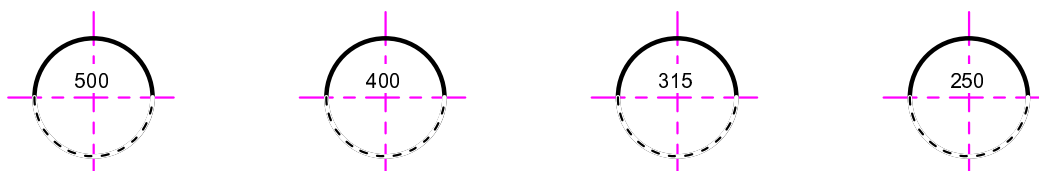


List of mounting material:

1pcs 39900 mm Plastic-coated galvanized wire, 4pcs Galvanized lock nut , 2pcs Galvanized turn buckle , 7pcs Plastic-coated wire hangers 1500 mm, 71pcs Plastic hooks 64/114/156/188 mm, 1pcs Circular 500 mm Stainless steel strip

Microperforation

- S1 A 8475mm, 230l/s, Direction/Area 180/180
- S2 A 8475mm, 230l/s, Direction/Area 180/180
- S3 A 8475mm, 230l/s, Direction/Area 180/180
- S4 A 7975mm, 230l/s, Direction/Area 180/180



Price for 1 pc : 1058,00 EUR

Total price for pos. 3 : 2116,00 EUR

Weight : 24 kg

Order number Epiim

Position: 4 / 15



/

Tailor-made Air Ducting&Diffusers

Number of pieces : 1

Shape Circular, Size 250 mm, Total length 5600 mm, First end Blanking, Second end Blanking, Airflow 270 l/s, Available pressure 92 Pa, Number of airflow inlets 1, 1 Adapter Circular 250, Zip, Altitude 214 m

Fabric NMS - 100% polyester, Endless fibres (multifilament), Weight 254 g/m², Thickness 0,31 mm, Permeability 0 m³/h/m² by 120 Pa, strength (warp/weft) 1810/1090 N (EN ISO 13934-1:1999), Fire resistance - B-s1, d0 according to EN 13501-1+A1: 2010, Temperature resistance -30 a +110°C, Washing shrinkage (warp/weft) 0,5/0,5 % by 40°C according to EN ISO 6330-2000, Suitable for cleanrooms - class No. 4 (EN ISO 14644-1), Washable in washing-machine, Colour Light grey

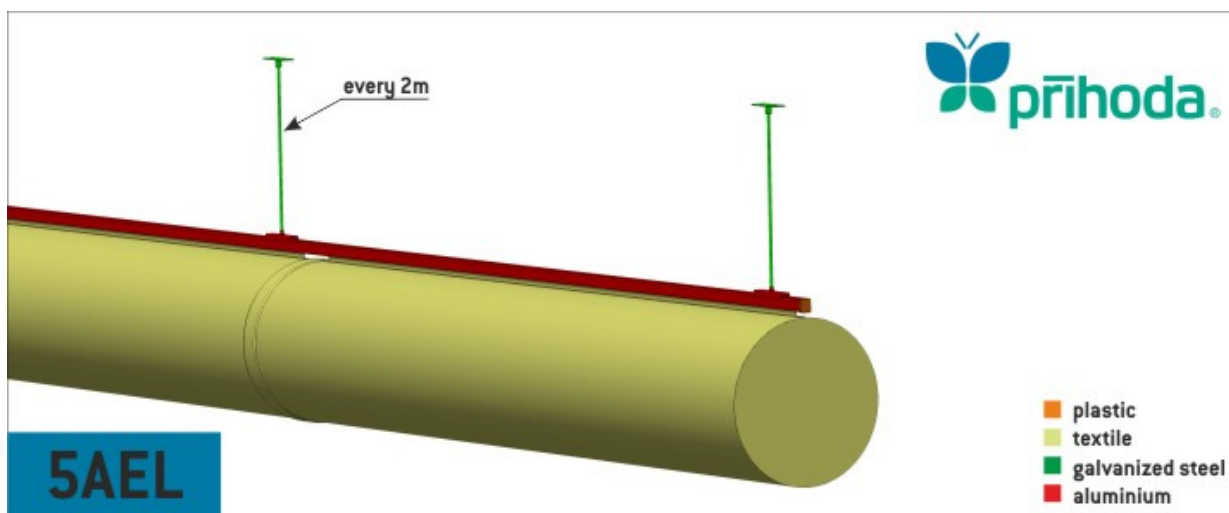
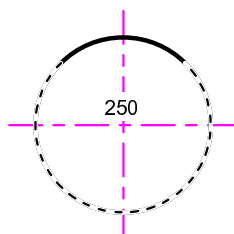


List of mounting material:

2pcs 2000mm Aluminium profile, 1pcs 1600mm Aluminium profile, 2pcs Aluminium profile connector straight, 4pcs Aluminium profile hanger, 2pcs Tensioner in profile, 4pcs Thread bar hangers galvanized 1000 mm

Microperforation

S1 A 5600mm, 270l/s, Direction/Area 180/270



Price for 1 pc : 252,00 EUR

Total price for pos. 4 : 252,00 EUR

Weight : 5 kg

Order number Epiim

Position: 5 / 15



/

Tailor-made Air Ducting&Diffusers

Number of pieces : 1

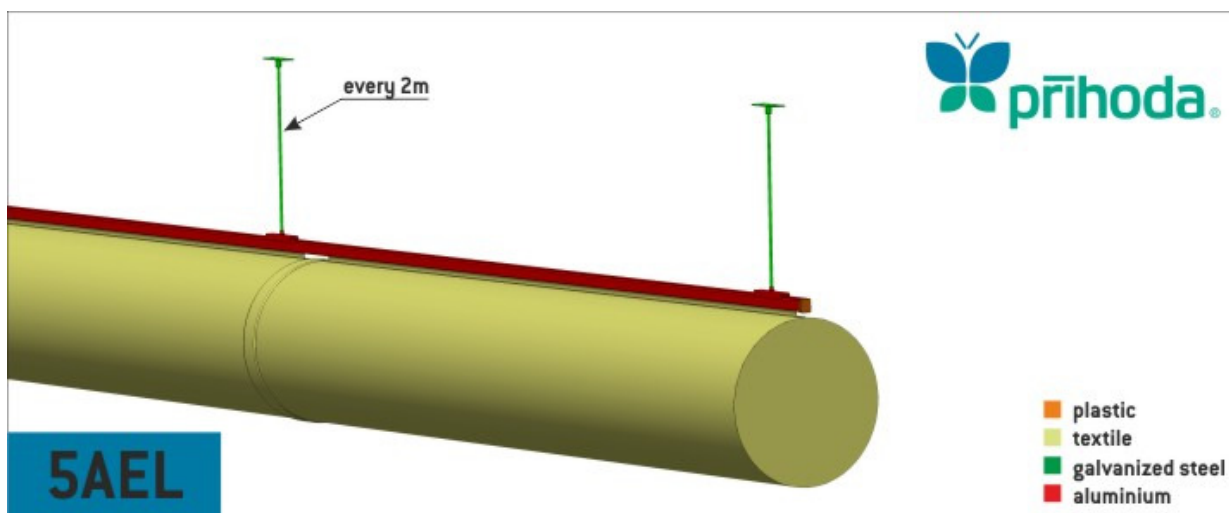
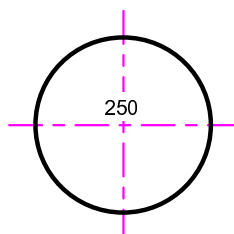
Shape Circular, Size 250 mm, Total length 6500 mm, First end Beginning, Second end Zip, 3pcs Zip 250, Airflow 270 l/s, Available pressure 100 Pa, Number of airflow outlets 1, Altitude 214 m

Fabric NMS - 100% polyester, Endless fibres (multifilament), Weight 254 g/m², Thickness 0,31 mm, Permeability 0 m³/h/m² by 120 Pa, strength (warp/weft) 1810/1090 N (EN ISO 13934-1:1999), Fire resistance - B-s1, d0 according to EN 13501-1+A1: 2010, Temperature resistance -30 a +110°C, Washing shrinkage (warp/weft) 0,5/0,5 % by 40°C according to EN ISO 6330-2000, Suitable for cleanrooms - class No. 4 (EN ISO 14644-1), Washable in washing-machine, Colour Light grey



List of mounting material:

3pcs 2000mm Aluminium profile, 1pcs 400mm Aluminium profile, 3pcs Aluminium profile connector straight, 5pcs Aluminium profile hanger, 2pcs Tensioner in profile, 5pcs Thread bar hangers galvanized 1000 mm, 1pcs Circular 250 mm Stainless steel strip



Price for 1 pc : 254,00 EUR

Total price for pos. 5 : 254,00 EUR

Weight : 6 kg

Order number Epiim

Position: 6 / 15



/

Tailor-made Air Ducting&Diffusers

Number of pieces : 1

Shape Circular, Number of diameters 3, Size 400-315-250 mm, Total length 18600 mm (5866+500+5866+500+5868), First end Hem, Second end Blanking, 1pcs Zip 400, 2pcs Zip 315, 1pcs Zip 250, Airflow 560 l/s (186,7+186,7+186,7), Available pressure 100 Pa, Altitude 214 m

Fabric NMS - 100% polyester, Endless fibres (multifilament), Weight 254 g/m², Thickness 0,31 mm, Permeability 0 m³/h/m² by 120 Pa, strength (warp/weft) 1810/1090 N (EN ISO 13934-1:1999), Fire resistance - B-s1, d0 according to EN 13501-1+A1: 2010, Temperature resistance -30 a +110°C, Washing shrinkage (warp/weft) 0,5/0,5 % by 40°C according to EN ISO 6330-2000, Suitable for cleanrooms - class No. 4 (EN ISO 14644-1), Washable in washing-machine, Design "Office", Colour Light grey



List of mounting material:

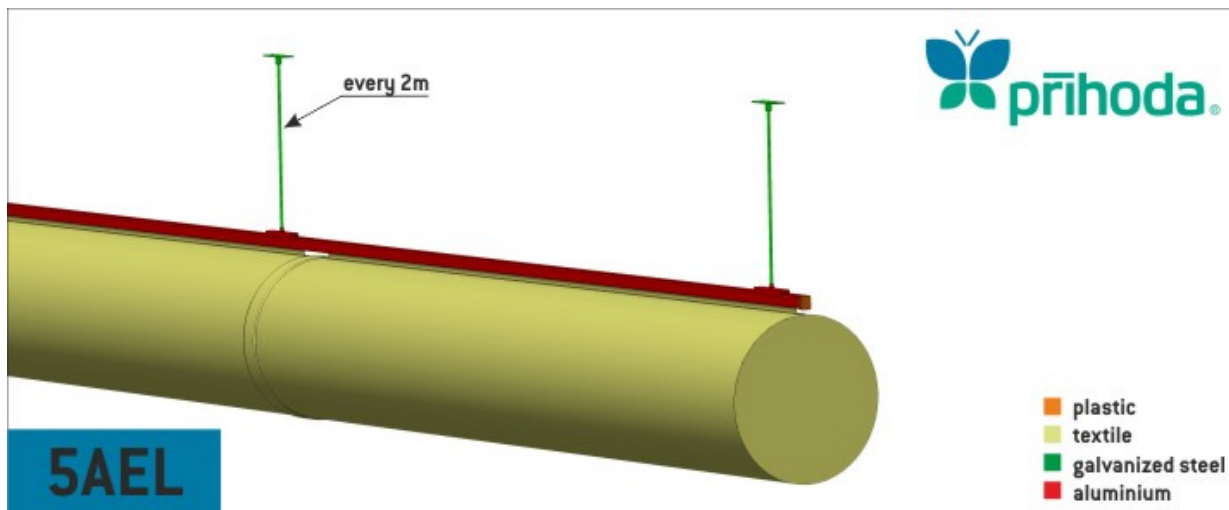
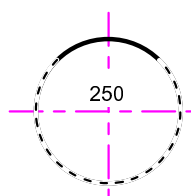
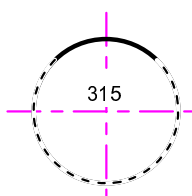
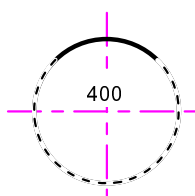
9pcs 2000mm Aluminium profile, 1pcs 450mm Aluminium profile, 9pcs Aluminium profile connector straight, 11pcs Aluminium profile hanger, 2pcs Tensioner in profile, 11pcs Thread bar hangers galvanized 1000 mm, 1pcs Circular 400 mm Stainless steel strip

Microperforation

S1 A 5866mm, 187l/s, Direction/Area 180/270

S2 A 5866mm, 187l/s, Direction/Area 180/270

S3 A 5868mm, 187l/s, Direction/Area 180/270



Price for 1 pc : 789,00 EUR

Total price for pos. 6 : 789,00 EUR

Weight : 16 kg

/

Tailor-made Air Ducting&Diffusers

Number of pieces : 2

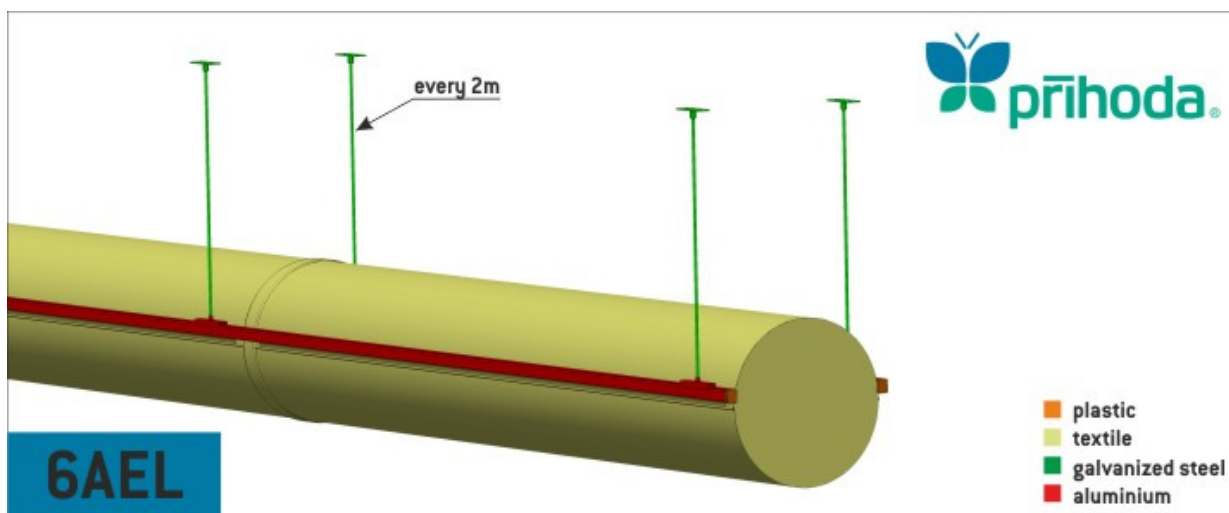
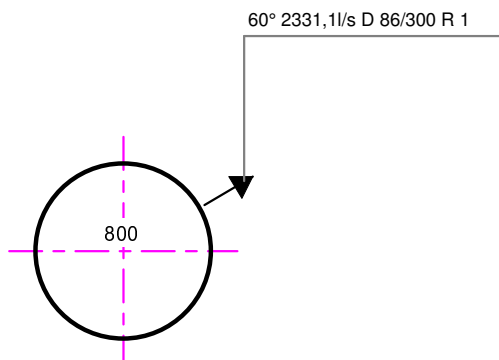
Shape Circular, Size 800 mm, Total length 12070 mm, First end Hem, Second end Blanking, 2pcs Zip 800, Airflow 2331,1 l/s, Available pressure 100 Pa, Altitude 214 m

Fabric NMS - 100% polyester, Endless fibres (multifilament), Weight 254 g/m², Thickness 0,31 mm, Permeability 0 m³/h/m² by 120 Pa, strength (warp/weft) 1810/1090 N (EN ISO 13934-1:1999), Fire resistance - B-s1, d0 according to EN 13501-1+A1: 2010, Temperature resistance -30 a +110°C, Washing shrinkage (warp/weft) 0,5/0,5 % by 40°C according to EN ISO 6330-2000, Suitable for cleanrooms - class No. 4 (EN ISO 14644-1), Washable in washing-machine, Colour Light grey



List of mounting material:

10pcs 2000mm Aluminium profile, 2pcs 1870mm Aluminium profile, 10pcs Aluminium profile connector straight, 14pcs Aluminium profile hanger, 4pcs Tensioner in profile, 14pcs Thread bar hangers galvanized 1000 mm, 1pcs Circular 800 mm Stainless steel strip



6AEL

Price for 1 pc : 2241,00 EUR

Total price for pos. 7 : 4482,00 EUR

Weight : 44 kg

/

Tailor-made Air Ducting&Diffusers

Number of pieces : 1

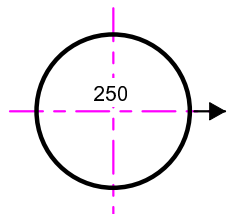
Shape Circular, Number of diameters 2, Size 250-200 mm, Total length 19075 mm (7000+500+11575), First end Hem, Second end Blanking, 1pcs Zip 250, 2pcs Zip 200, Airflow 201,1 l/s (67+134,1), Available pressure 100 Pa, Altitude 214 m

Fabric NMS - 100% polyester, Endless fibres (multifilament), Weight 254 g/m², Thickness 0,31 mm, Permeability 0 m³/h/m² by 120 Pa, strength (warp/weft) 1810/1090 N (EN ISO 13934-1:1999), Fire resistance - B-s1, d0 according to EN 13501-1+A1: 2010, Temperature resistance -30 a +110°C, Washing shrinkage (warp/weft) 0,5/0,5 % by 40°C according to EN ISO 6330-2000, Suitable for cleanrooms - class No. 4 (EN ISO 14644-1), Washable in washing-machine, Colour Light grey

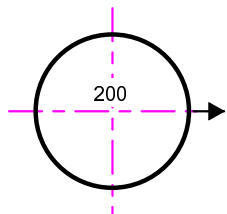


List of mounting material:

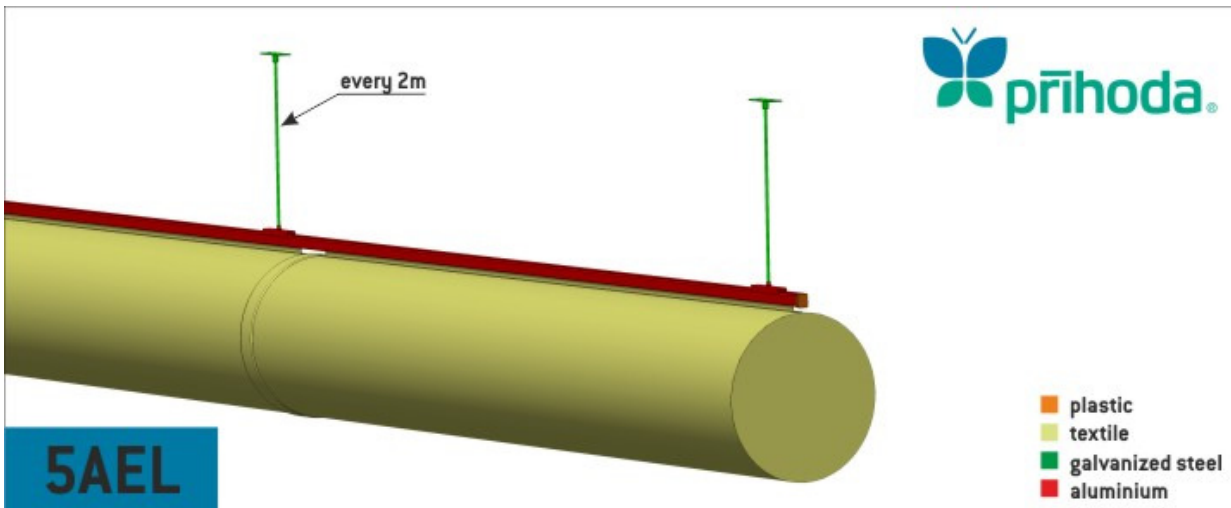
9pcs 2000mm Aluminium profile, 1pcs 975mm Aluminium profile, 9pcs Aluminium profile connector straight, 11pcs Aluminium profile hanger, 2pcs Tensioner in profile, 11pcs Thread bar hangers galvanized 1000 mm, 1pcs 5000 mm Tensioning tyre set, 1pcs Circular 250 mm Stainless steel strip



90° 66,9l/s D 40/875 R 1



90° 134,2l/s D 40/1302 R 1



Price for 1 pc :	642,00 EUR	Total price for pos. 8 :	642,00 EUR
		Weight : 15 kg	

/

Tailor-made Air Ducting&Diffusers

Number of pieces : 1

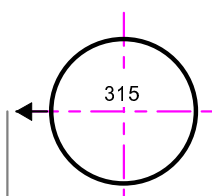
Shape Circular, Number of diameters 3, Size 315-250-200 mm, Total length 46000 mm (23150+500+11100+500+10750), First end Hem, Second end Blanking, 4pcs Zip 315, 2pcs Zip 250, 2pcs Zip 200, Airflow 401,9 l/s (134+134+134), Available pressure 100 Pa, Altitude 214 m

Fabric NMS - 100% polyester, Endless fibres (multifilament), Weight 254 g/m², Thickness 0,31 mm, Permeability 0 m³/h/m² by 120 Pa, strength (warp/weft) 1810/1090 N (EN ISO 13934-1:1999), Fire resistance - B-s1, d0 according to EN 13501-1+A1: 2010, Temperature resistance -30 a +110°C, Washing shrinkage (warp/weft) 0,5/0,5 % by 40°C according to EN ISO 6330-2000, Suitable for cleanrooms - class No. 4 (EN ISO 14644-1), Washable in washing-machine, Colour Light grey

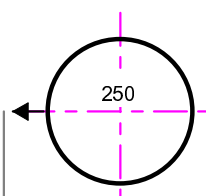


List of mounting material:

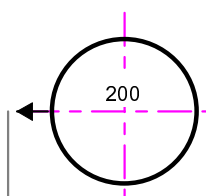
22pcs 2000mm Aluminium profile, 1pcs 1900mm Aluminium profile, 22pcs Aluminium profile connector straight, 24pcs Aluminium profile hanger, 2pcs Tensioner in profile, 24pcs Thread bar hangers galvanized 1000 mm, 1pcs 5000 mm Tensioning tyre set, 1pcs Circular 315 mm Stainless steel strip



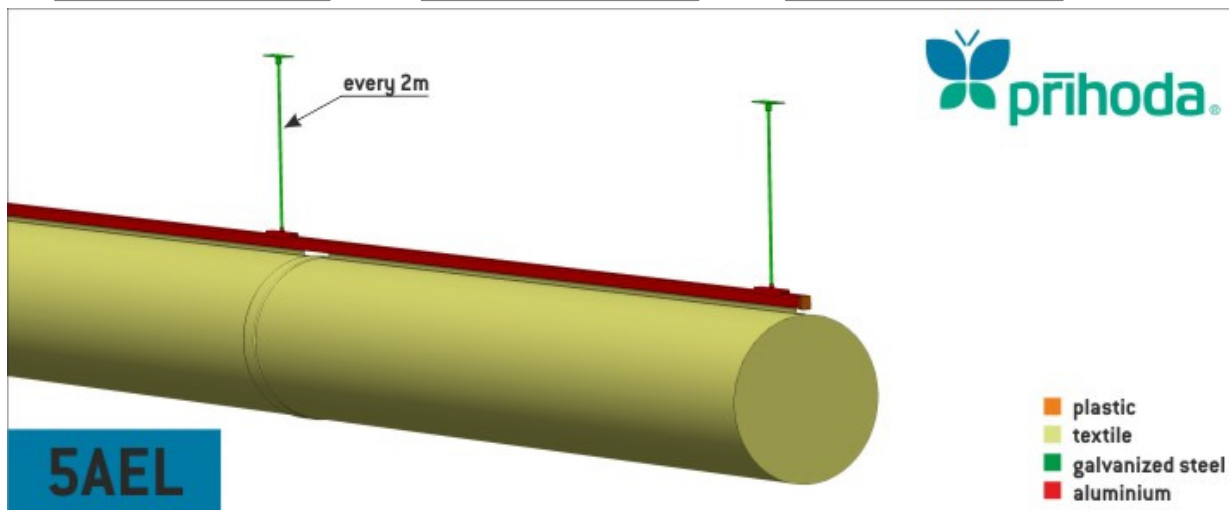
270° 133,9l/s D 40/1157 R 1



270° 133,9l/s D 40/1248 R 1



270° 133,9l/s D 40/1209 R 1



- plastic
- textile
- galvanized steel
- aluminium

Price for 1 pc : 1558,00 EUR

Total price for pos. 9 : 1558,00 EUR

Weight : 36 kg

/

Tailor-made Air Ducting&Diffusers

Number of pieces : 1

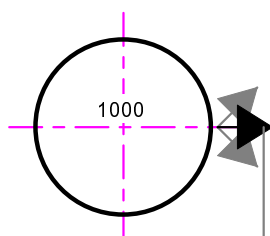
Shape Circular, Size 1000 mm, Total length 63620 mm, First end Hem, Second end Hem, 12pcs Zip 1000, Airflow 3400 l/s, Available pressure 100 Pa, Number of airflow outlets 1, Altitude 214 m

Fabric NMS - 100% polyester, Endless fibres (multifilament), Weight 254 g/m², Thickness 0,31 mm, Permeability 0 m³/h/m² by 120 Pa, strength (warp/weft) 1810/1090 N (EN ISO 13934-1:1999), Fire resistance - B-s1, d0 according to EN 13501-1+A1: 2010, Temperature resistance -30 a +110°C, Washing shrinkage (warp/weft) 0,5/0,5 % by 40°C according to EN ISO 6330-2000, Suitable for cleanrooms - class No. 4 (EN ISO 14644-1), Washable in washing-machine, Colour Light grey

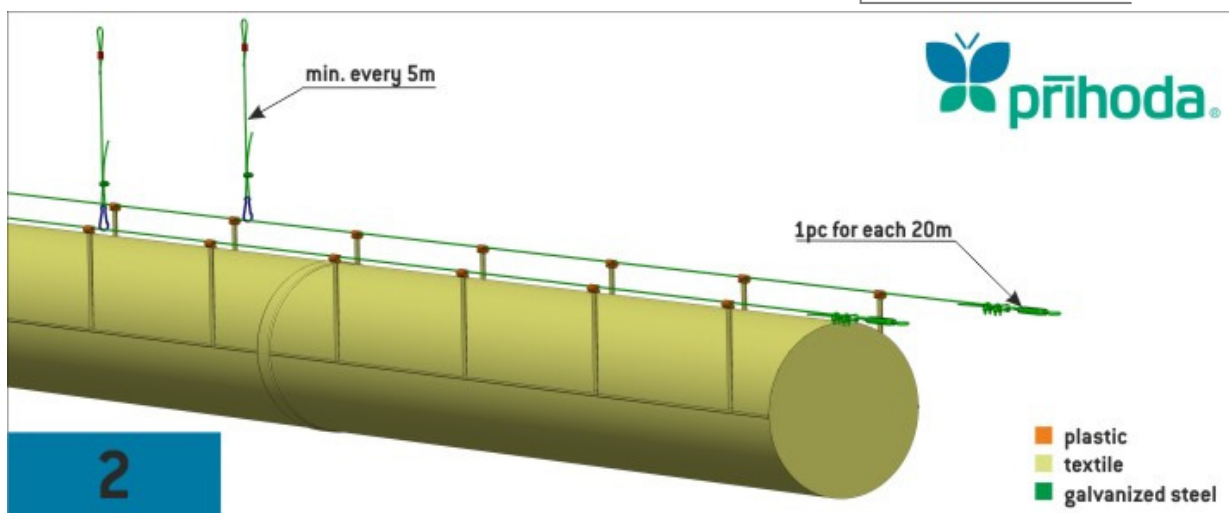


List of mounting material:

1pcs 137240 mm Plastic-coated galvanized wire, 8pcs Galvanized lock nut , 8pcs Galvanized turn buckle , 26pcs Plastic-coated wire hangers 1500 mm, 258pcs Plastic hooks 532 mm, 2pcs Circular 1000 mm Stainless steel strip



90° 670I/s D 205/15500 R 1



2

Price for 1 pc : 4533,00 EUR

Total price for pos. 10 : 4533,00 EUR

Weight : 57 kg

/

Tailor-made Air Ducting&Diffusers

Number of pieces : 1

Shape Circular, Number of diameters 3, Size 400-315-250 mm, Total length 18100 mm (5866+500+5866+500+4768), First end Hem, Second end Hem, 1pcs Zip 400, 2pcs Zip 315, 1pcs Zip 250, Airflow 580 l/s (186,7+186,7+186,7), Available pressure 100 Pa, Number of airflow outlets 1, Reduce to Circular 125/500, Hem, Altitude 214 m

Fabric NMS - 100% polyester, Endless fibres (multifilament), Weight 254 g/m², Thickness 0,31 mm, Permeability 0 m³/h/m² by 120 Pa, strength (warp/weft) 1810/1090 N (EN ISO 13934-1:1999), Fire resistance - B-s1, d0 according to EN 13501-1+A1: 2010, Temperature resistance -30 a +110°C, Washing shrinkage (warp/weft) 0,5/0,5 % by 40°C according to EN ISO 6330-2000, Suitable for cleanrooms - class No. 4 (EN ISO 14644-1), Washable in washing-machine, Design "Office", Colour Light grey



List of mounting material:

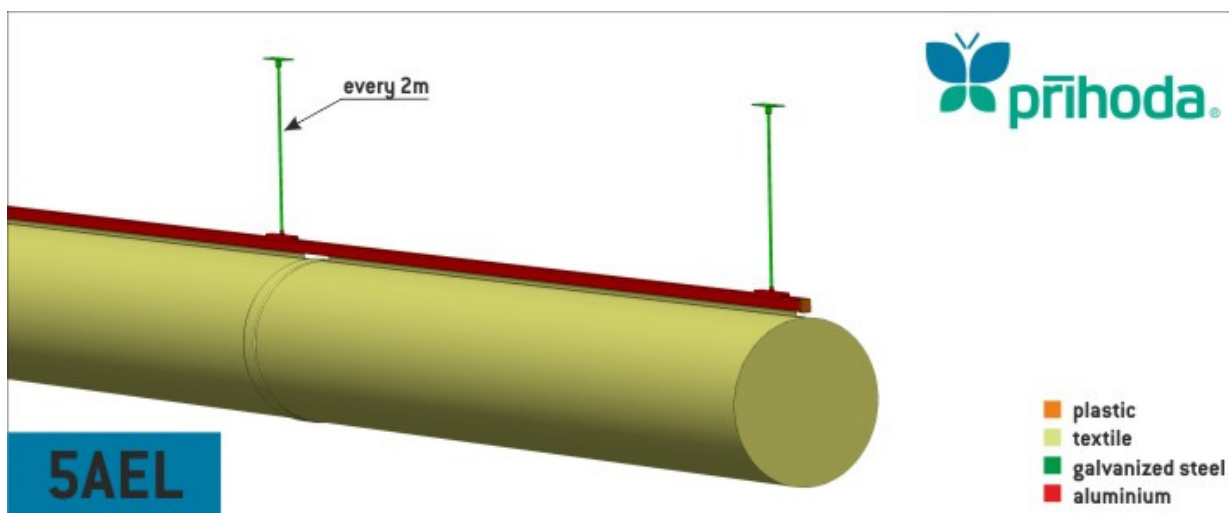
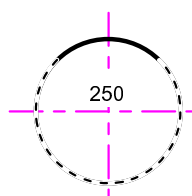
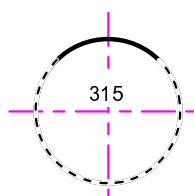
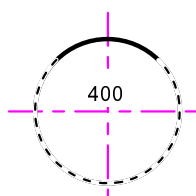
8pcs 2000mm Aluminium profile, 1pcs 1350mm Aluminium profile, 8pcs Aluminium profile connector straight, 10pcs Aluminium profile hanger, 2pcs Tensioner in profile, 10pcs Thread bar hangers galvanized 1000 mm, 1pcs Circular 400 mm Stainless steel strip, 1pcs Circular 125 mm Stainless steel strip

Microperforation

S1 A 5866mm, 187l/s, Direction/Area 180/270

S2 A 5866mm, 187l/s, Direction/Area 180/270

S3 A 4768mm, 187l/s, Direction/Area 180/270



Price for 1 pc : 774,00 EUR

Total price for pos. 11 : 774,00 EUR

Weight : 15 kg

Order number Epiim

Position: 12 / 15



/

Tailor-made Air Ducting&Diffusers

Number of pieces : 1

Shape Circular, Size 800 mm, Total length 6605 mm, First end Hem, Second end Blanking, 1pcs Zip 800, Airflow 2230 l/s, Available pressure 100 Pa, Altitude 214 m

Fabric NMS - 100% polyester, Endless fibres (multifilament), Weight 254 g/m², Thickness 0,31 mm, Permeability 0 m³/h/m² by 120 Pa, strength (warp/weft) 1810/1090 N (EN ISO 13934-1:1999), Fire resistance - B-s1, d0 according to EN 13501-1+A1: 2010, Temperature resistance -30 a +110°C, Washing shrinkage (warp/weft) 0,5/0,5 % by 40°C according to EN ISO 6330-2000, Suitable for cleanrooms - class No. 4 (EN ISO 14644-1), Washable in washing-machine, Colour Light grey

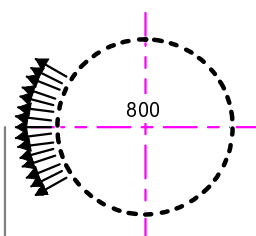


List of mounting material:

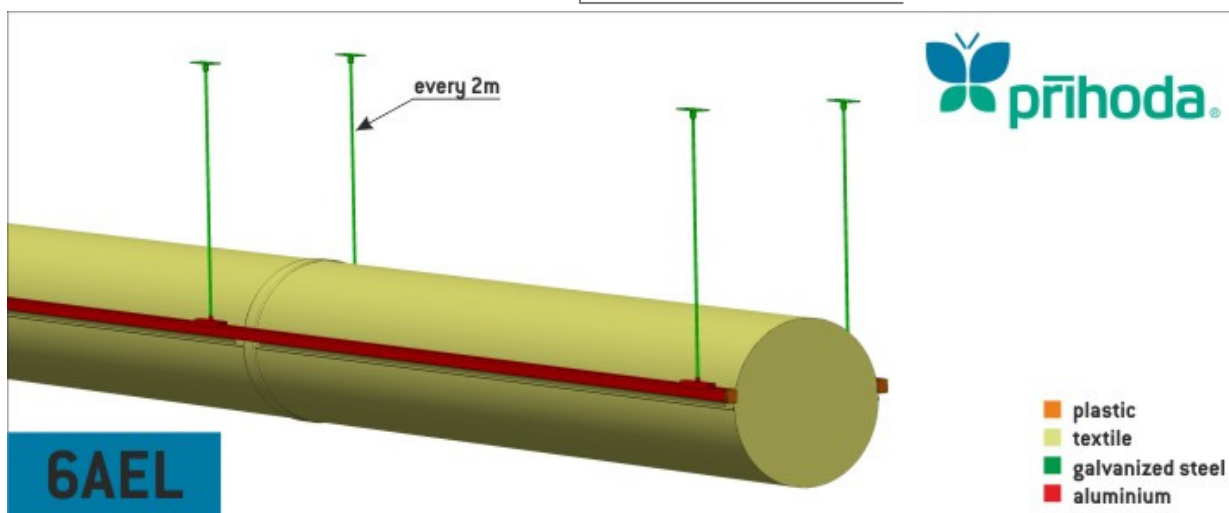
6pcs 2000mm Aluminium profile, 2pcs 405mm Aluminium profile, 6pcs Aluminium profile connector straight, 10pcs Aluminium profile hanger, 4pcs Tensioner in profile, 10pcs Thread bar hangers galvanized 1000 mm, 1pcs Circular 800 mm Stainless steel strip

Microperforation

S1 6605mm, 62l/s, Uniform



270° 2168,1l/s D 13,1/60 R 15/32



Price for 1 pc : 586,00 EUR

Total price for pos. 12 : 586,00 EUR

Weight : 13 kg

Order number Epiim

Position: 13 / 15



/

Tailor-made Air Ducting&Diffusers

Number of pieces : 1

Shape Circular, Number of diameters 2, Size 500-400 mm, Total length 10130 mm (5260+500+4370), First end Hem, Second end Blanking, 1pcs Zip 400, Airflow 1151,9 l/s (576+576), Available pressure 100 Pa, Altitude 214 m

Fabric NMS - 100% polyester, Endless fibres (multifilament), Weight 254 g/m², Thickness 0,31 mm, Permeability 0 m³/h/m² by 120 Pa, strength (warp/weft) 1810/1090 N (EN ISO 13934-1:1999), Fire resistance - B-s1, d0 according to EN 13501-1+A1: 2010, Temperature resistance -30 a +110°C, Washing shrinkage (warp/weft) 0,5/0,5 % by 40°C according to EN ISO 6330-2000, Suitable for cleanrooms - class No. 4 (EN ISO 14644-1), Washable in washing-machine, Colour Light grey



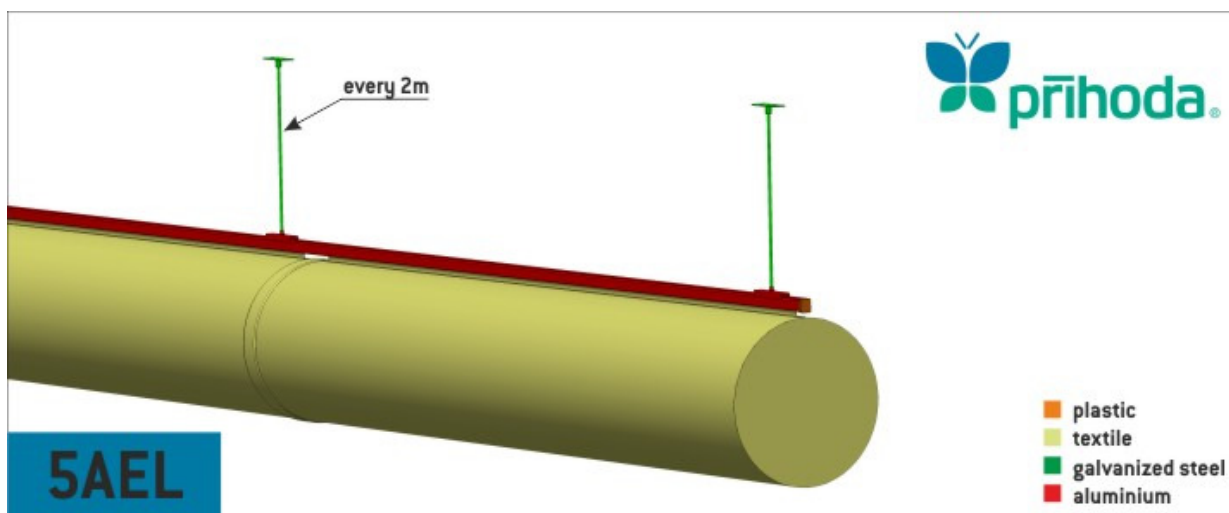
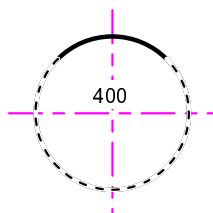
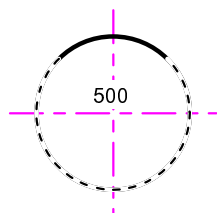
List of mounting material:

4pcs 2000mm Aluminium profile, 1pcs 1980mm Aluminium profile, 4pcs Aluminium profile connector straight, 6pcs Aluminium profile hanger, 2pcs Tensioner in profile, 6pcs Thread bar hangers galvanized 1000 mm, 1pcs Circular 500 mm Stainless steel strip

Microperforation

S1 A 5260mm, 576l/s, Direction/Area 180/270

S2 A 4370mm, 576l/s, Direction/Area 180/270



Price for 1 pc : 532,00 EUR

Total price for pos. 13 : 532,00 EUR

Weight : 10 kg

/

Tailor-made Air Ducting&Diffusers

Number of pieces : 1

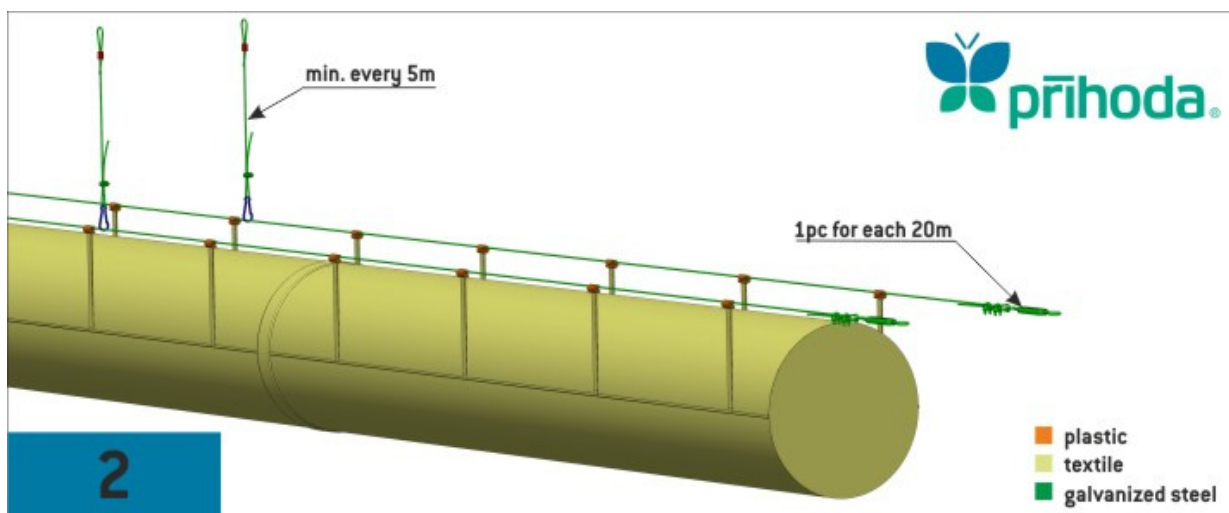
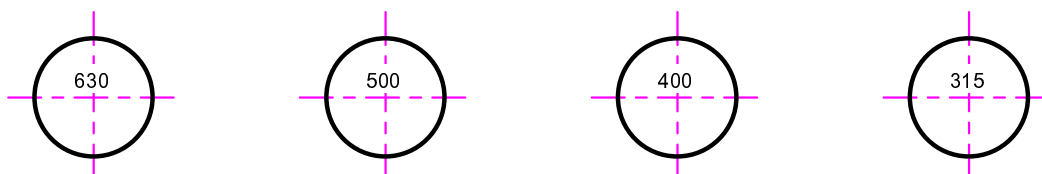
Shape Circular, Number of diameters 4, Size 630-500-400-315 mm, Total length 32220 mm (7805+500+7805+500+7805+500+7305), First end Hem, Second end Blanking, 1pcs Zip 630, 2pcs Zip 500, 1pcs Zip 400, 2pcs Zip 315, Airflow 1500 l/s (0+0+0+0), Available pressure 100 Pa, Number of airflow outlets 4, 4 Adapter Circular 315, Zip, Altitude 214 m

Fabric NMS - 100% polyester, Endless fibres (multifilament), Weight 254 g/m², Thickness 0,31 mm, Permeability 0 m³/h/m² by 120 Pa, strength (warp/weft) 1810/1090 N (EN ISO 13934-1:1999), Fire resistance - B-s1, d0 according to EN 13501-1+A1: 2010, Temperature resistance -30 a +110°C, Washing shrinkage (warp/weft) 0,5/0,5 % by 40°C according to EN ISO 6330-2000, Suitable for cleanrooms - class No. 4 (EN ISO 14644-1), Washable in washing-machine, Colour Light grey



List of mounting material:

1pcs 74440 mm Plastic-coated galvanized wire, 8pcs Galvanized lock nut , 4pcs Galvanized turn buckle , 14pcs Plastic-coated wire hangers 1500 mm, 134pcs Plastic hooks 347/353/366/381 mm, 1pcs Circular 630 mm Stainless steel strip



2

Price for 1 pc : 1447,00 EUR

Total price for pos. 14 : 1447,00 EUR

Weight : 16 kg

/

Tailor-made Air Ducting&Diffusers

Number of pieces : 4

Shape Circular, Number of diameters 2, Size 315-250 mm, Total length 13470 mm (7300+500+5670), First end Zip, Second end Blanking, 2pcs Zip 315, 1pcs Zip 250, Airflow 375 l/s (187,5+187,5), Available pressure 72 Pa, Altitude 214 m

Fabric NMS - 100% polyester, Endless fibres (multifilament), Weight 254 g/m², Thickness 0,31 mm, Permeability 0 m³/h/m² by 120 Pa, strength (warp/weft) 1810/1090 N (EN ISO 13934-1:1999), Fire resistance - B-s1, d0 according to EN 13501-1+A1: 2010, Temperature resistance -30 a +110°C, Washing shrinkage (warp/weft) 0,5/0,5 % by 40°C according to EN ISO 6330-2000, Suitable for cleanrooms - class No. 4 (EN ISO 14644-1), Washable in washing-machine, Colour Light grey

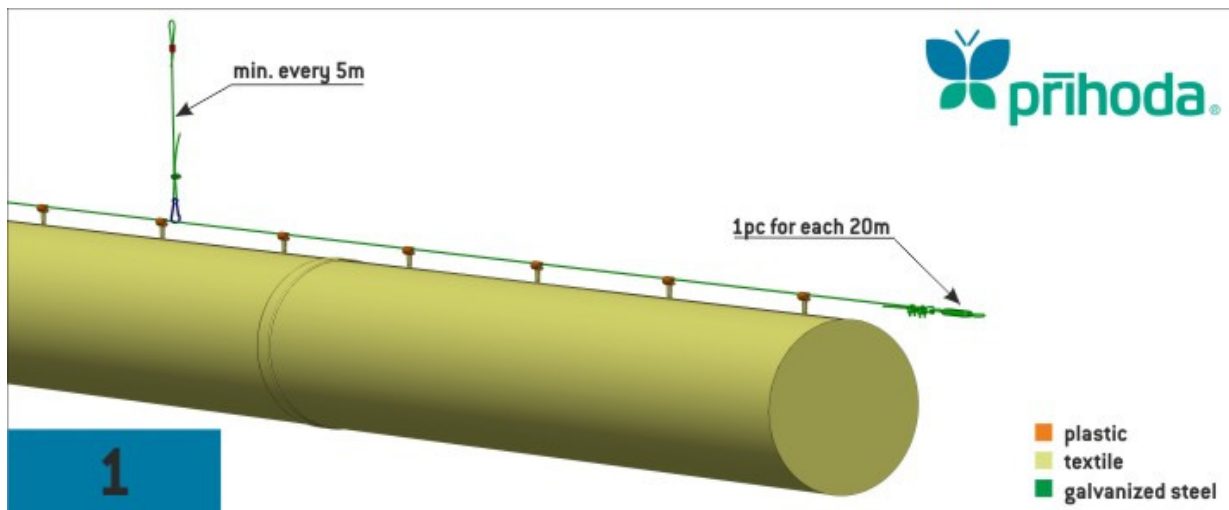
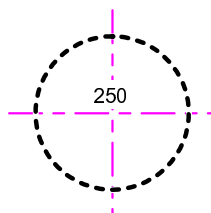
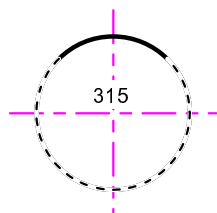


List of mounting material:

1pcs 18470 mm Plastic-coated galvanized wire, 4pcs Galvanized lock nut , 1pcs Galvanized turn buckle , 3pcs Plastic-coated wire hangers 1500 mm, 29pcs Plastic hooks 32/64 mm

Microperforation

S1 A 7300mm, 188l/s, Direction/Area 180/270
S2 5670mm, 188l/s, Uniform



Price for 1 pc : 361,00 EUR

Total price for pos. 15 : 1444,00 EUR

Weight : 16 kg

/

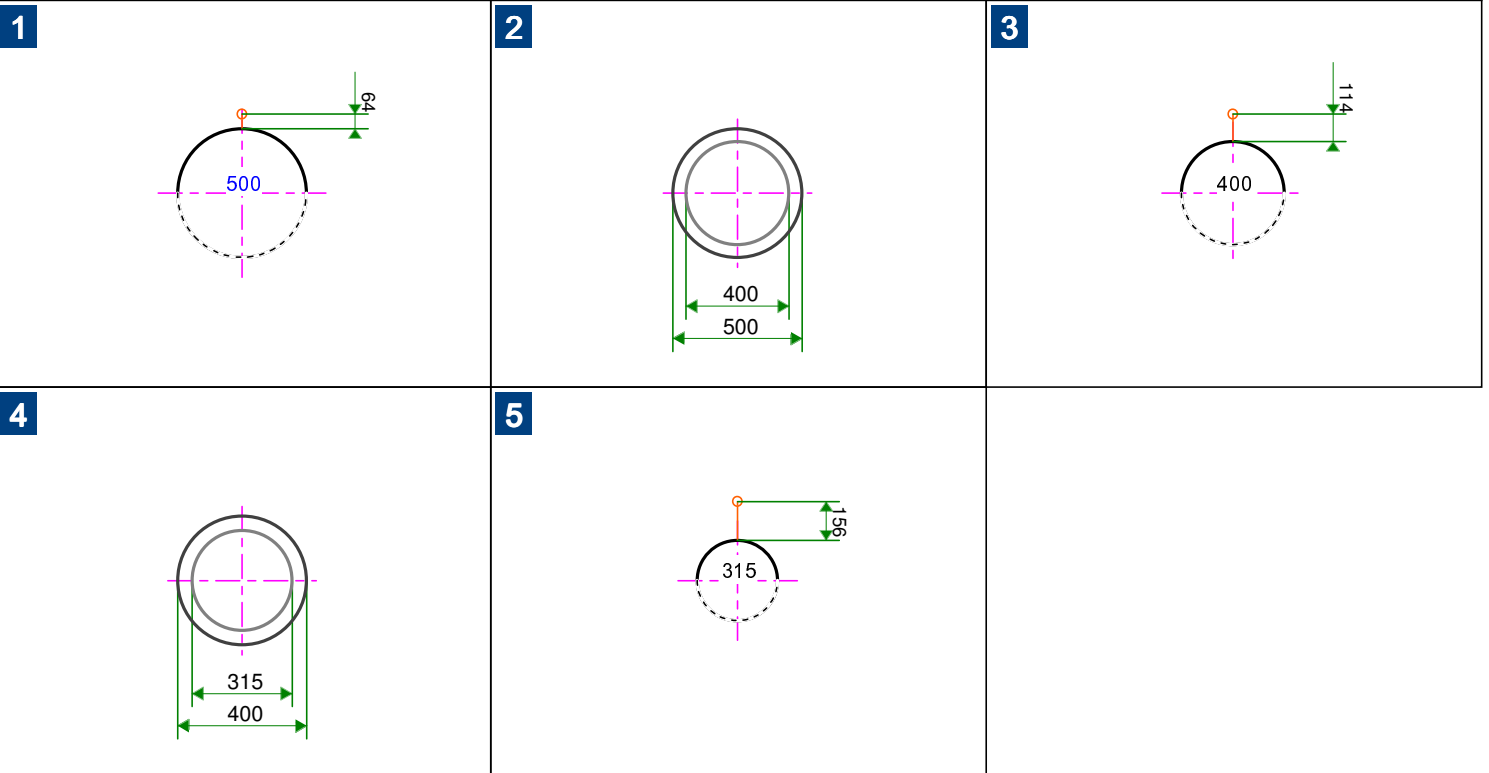
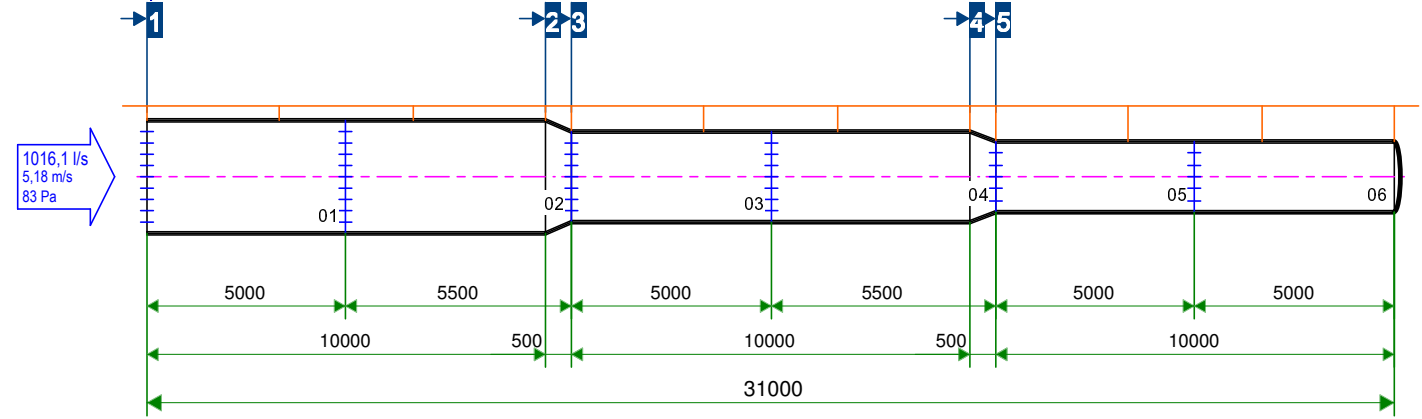
Tailor-made Air Ducting&Diffusers

Position	pcs.-weight/profiles-price 1pc./all
1 - C500/31000 ZB/NMS-1/LG	4pcs 45 kg / 0 kg - 974,00 / 3896,00
2 - C1000/43560 HZ/NMS-2/LG + 3 OUT(3xC500Z) + 1x500 Arch-90°/4 SZ	1pcs 35 kg / 0 kg - 2888,00 / 2888,00
3 - C500/34900 HB/NMS-1/LG	2pcs 24 kg / 0 kg - 1058,00 / 2116,00
4 - C250/5600 BB/NMS-5AEL/LG + 1 IN(1xC250Z)	1pcs 5 kg / 3 kg - 252,00 / 252,00
5 - C250/6500 FZ/NMS-5AEL/LG	1pcs 6 kg / 4 kg - 254,00 / 254,00
6 - C400/18600 HB/NMS-5AEL/LGO	1pcs 16 kg / 8 kg - 789,00 / 789,00
7 - C800/12070 HB/NMS-6AEL/LG	2pcs 44 kg / 20 kg - 2241,00 / 4482,00
8 - C250/19075 HB/NMS-5AEL+7/LG	1pcs 15 kg / 8 kg - 642,00 / 642,00
9 - C315/46000 HB/NMS-5AEL+7/LG	1pcs 35 kg / 18 kg - 1558,00 / 1558,00
10 - C1000/63620 HH/NMS-2/LG	1pcs 57 kg / 0 kg - 4533,00 / 4533,00
11 - C400/18100 HS/NMS-5AEL/LGO + DCC250-125/500 H	1pcs 15 kg / 8 kg - 774,00 / 774,00
12 - C800/6605 HB/NMS-6AEL/LG	1pcs 13 kg / 6 kg - 586,00 / 586,00
13 - C500/10130 HB/NMS-5AEL/LG	1pcs 9 kg / 5 kg - 532,00 / 532,00
14 - C630/32220 HB/NMS-2/LG + 4 OUT(4xC315Z)	1pcs 16 kg / 0 kg - 1447,00 / 1447,00
15 - C315/13470 ZB/NMS-1/LG	4pcs 15 kg / 0 kg - 361,00 / 1444,00

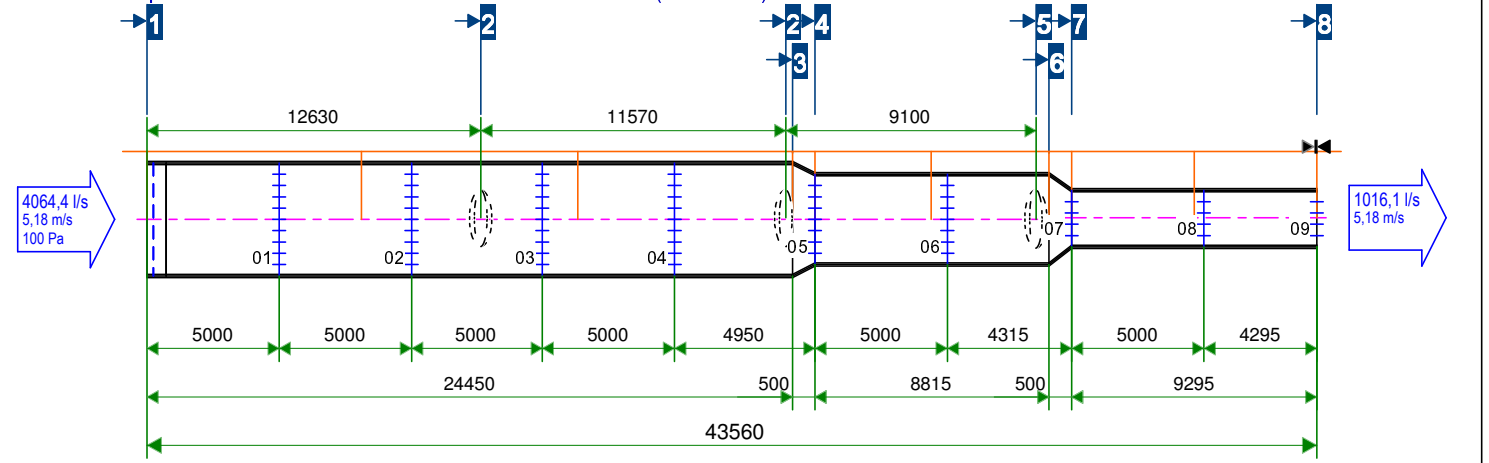
Total price for pos. 1 - 15 :**26193,00 EUR**

Weight : 347 kg

Position 1 - 4 pcs ... 1 - C500/31000 ZB/NMS-1/LG




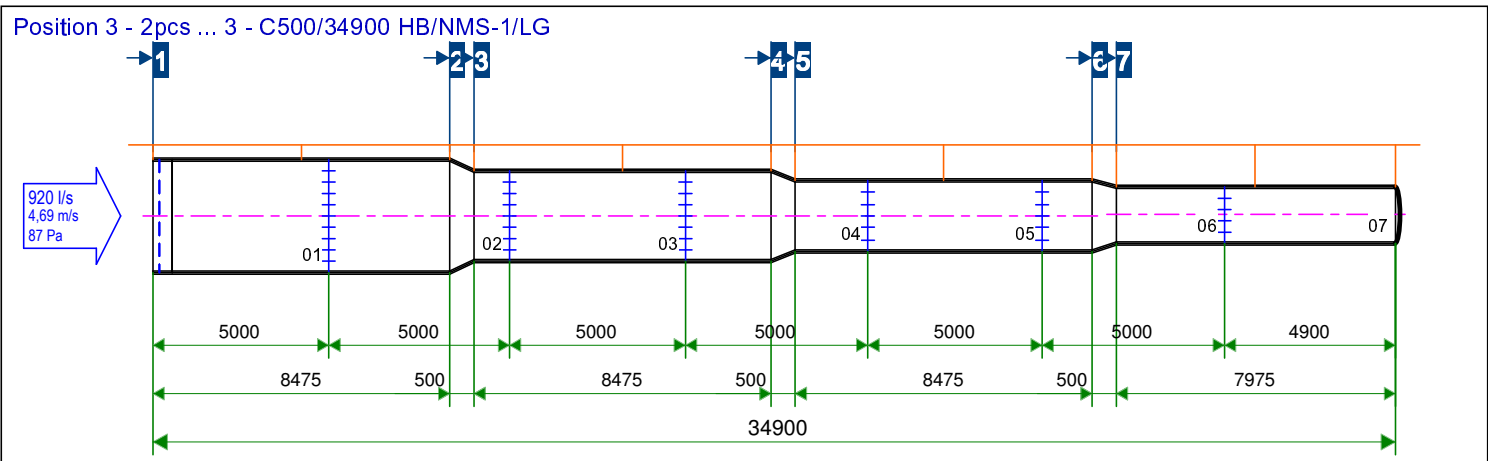
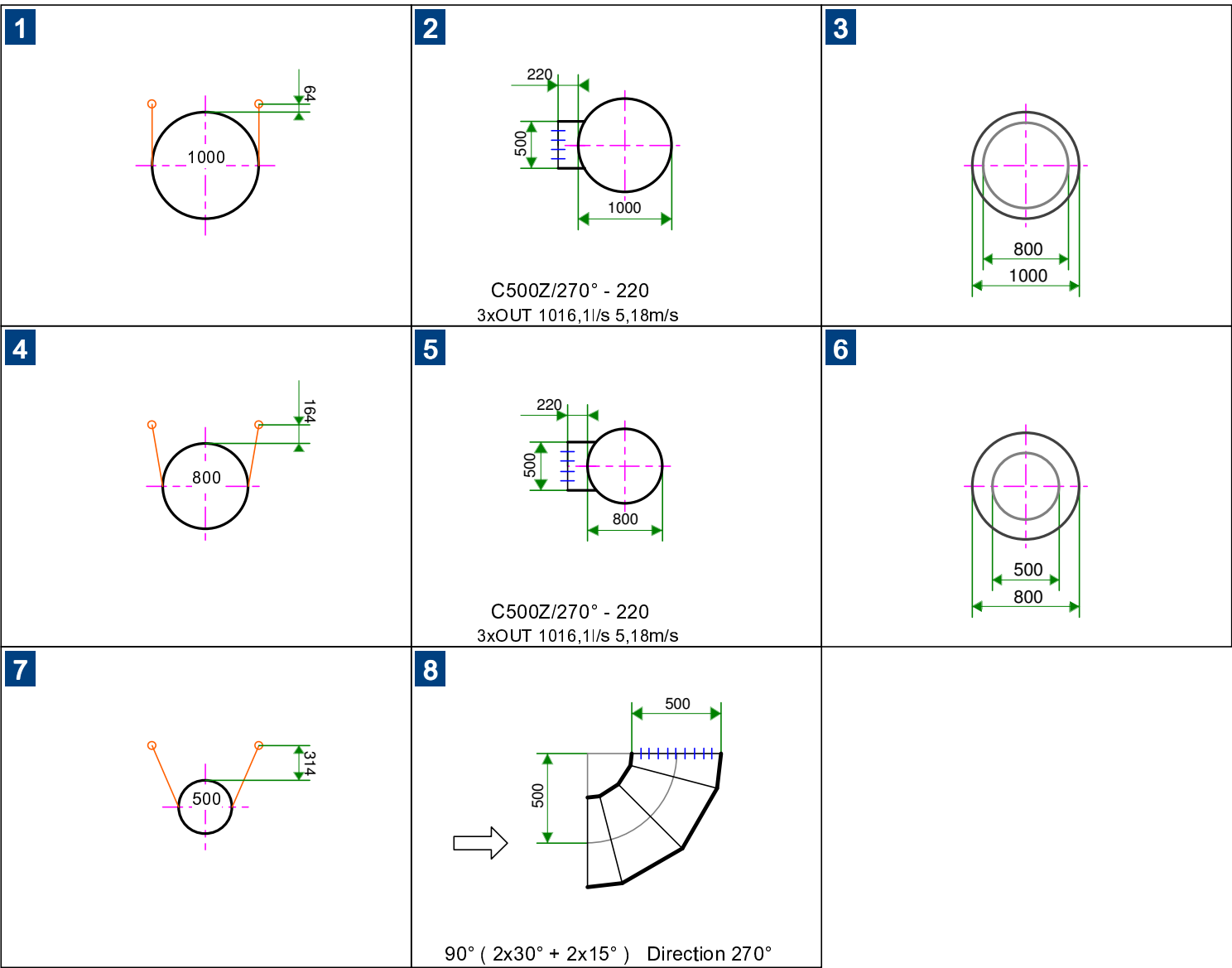
Position 2 - 1 pcs ... 2 - C1000/43560 HZ/NMS-2/LG + 3 OUT(3xC500Z) + 1x500 Arch-90°/4 SZ




The numbers of parts from the drawing are printed on the labels at zips.

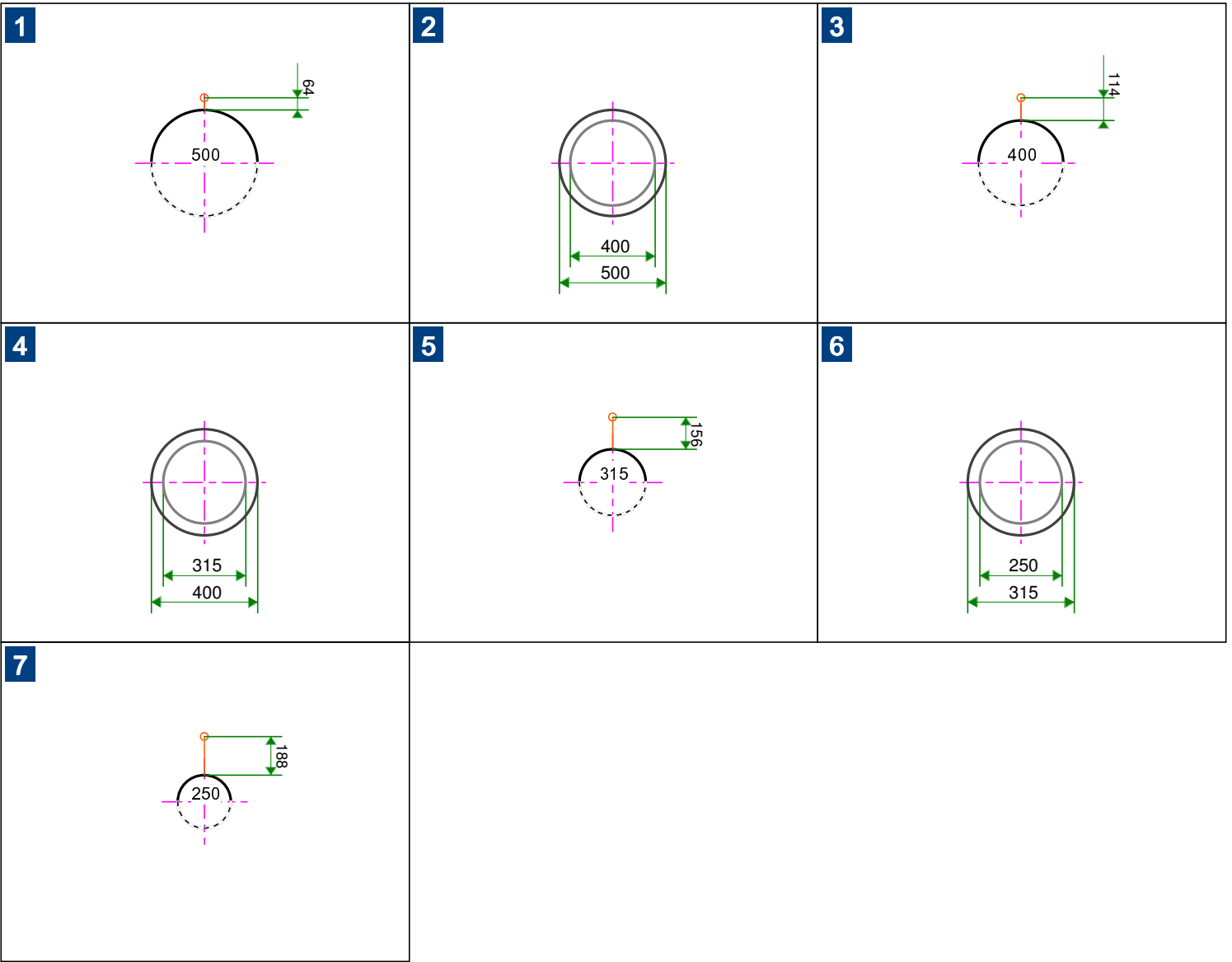
Dimensions in (mm)

DRAWING N.	VERSION	PAGE	DATE	DRAW	NO SCALE	 +3725236671
Č. VÝKRESU	VERZE	LIST	DATUM	KRESLIL	BEZ	
Epiim	1	1/11	20.5.2021	Erki-Heiki Meerits	MĚŘÍTKA	

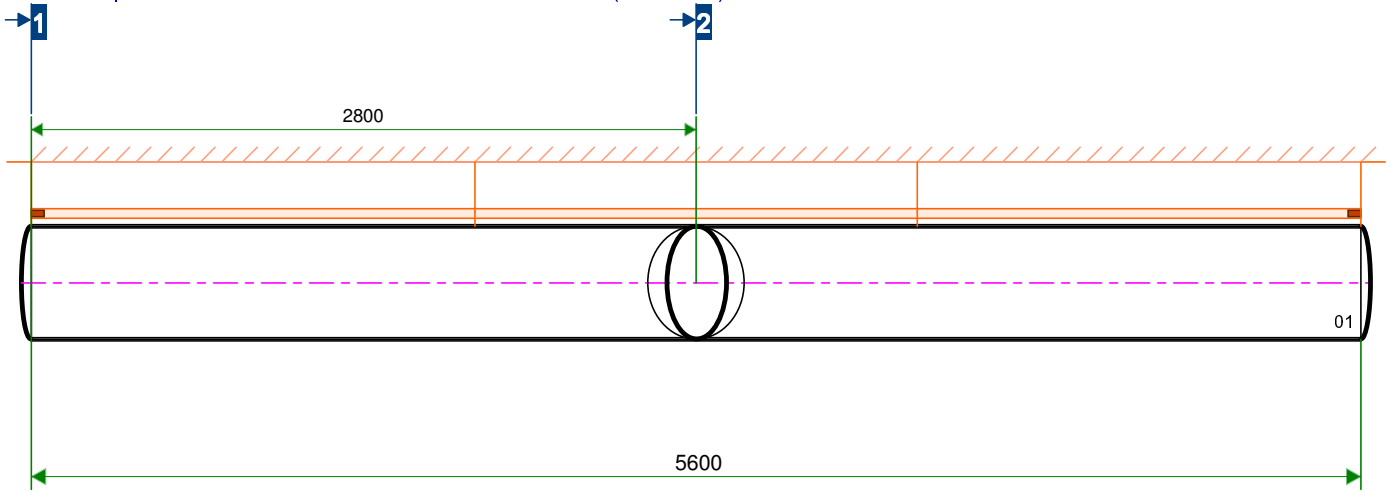


The numbers of parts from the drawing are printed on the labels at zips. Dimensions in (mm)

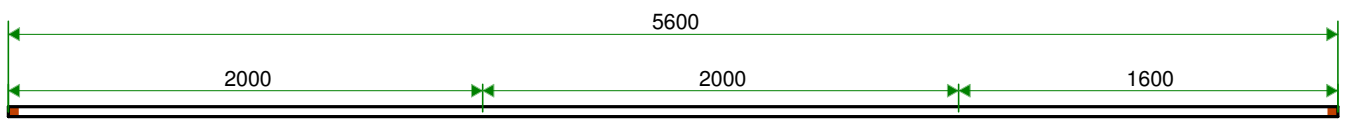
DRAWING N.	VERSION	PAGE	DATE	DRAW	NO SCALE	 +3725236671
Č. VÝKRESU	VERZE	LIST	DATUM	KRESLIL	BEZ	
Epiim	1	2/11	20.5.2021	Erki-Heiki Meerits	MĚŘÍTKA	



Position 4 - 1pcs ... 4 - C250/5600 BB/NMS-5AEL/LG + 1 IN(1xC250Z)




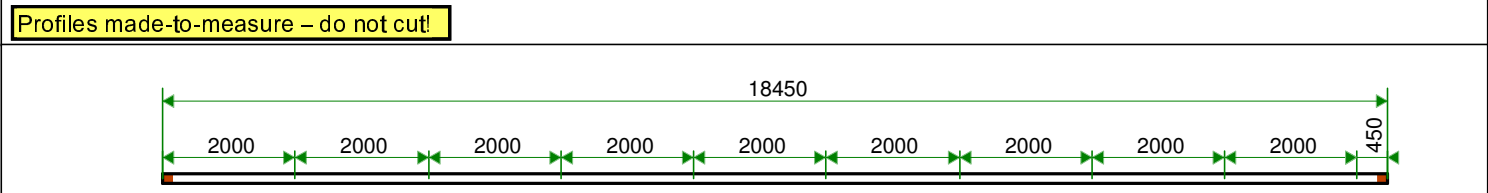
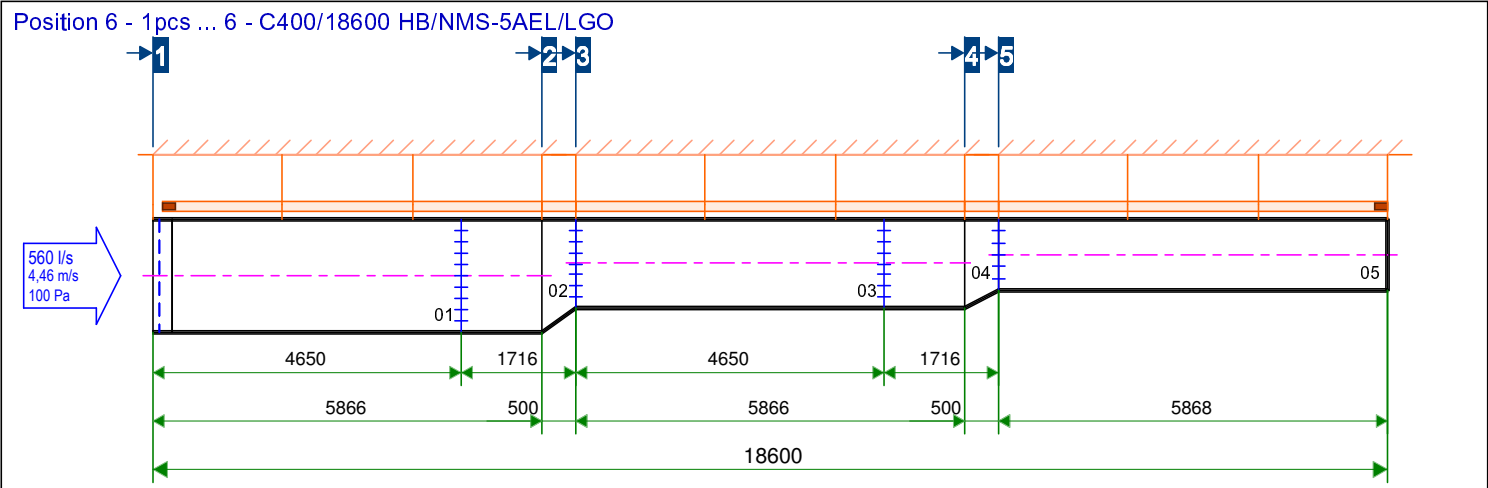
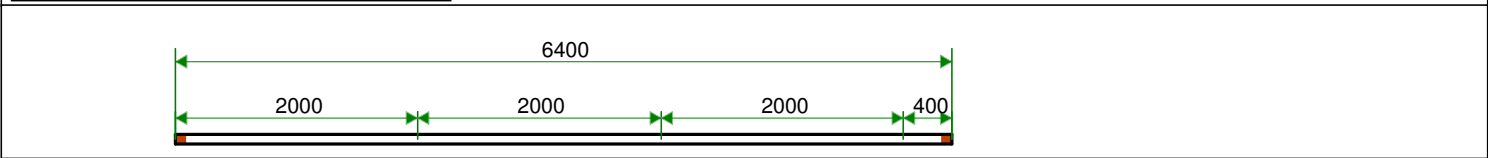
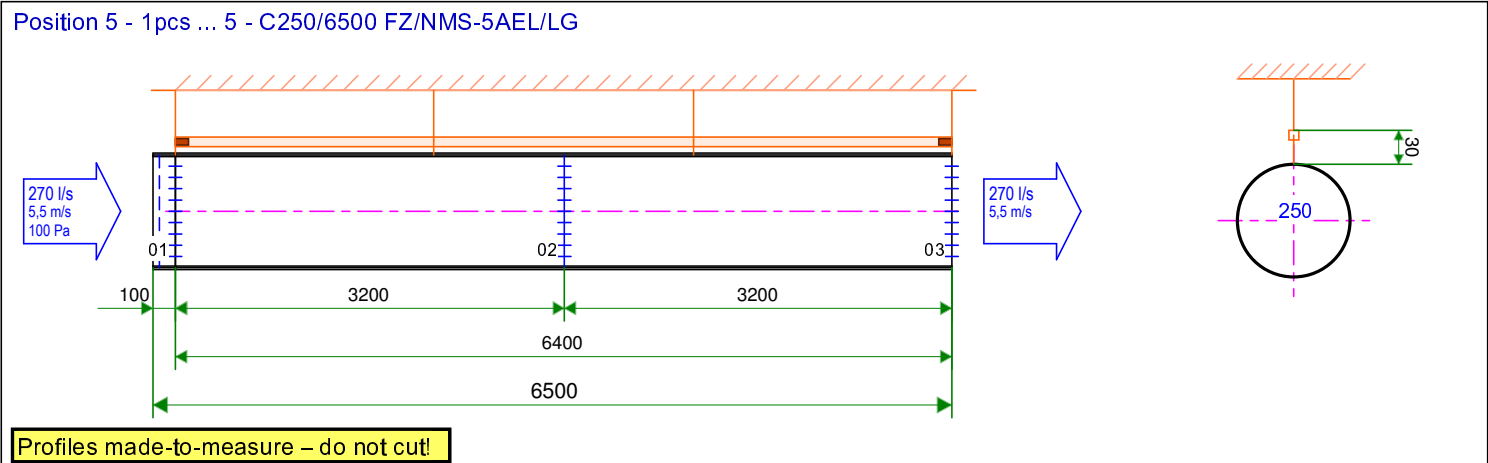
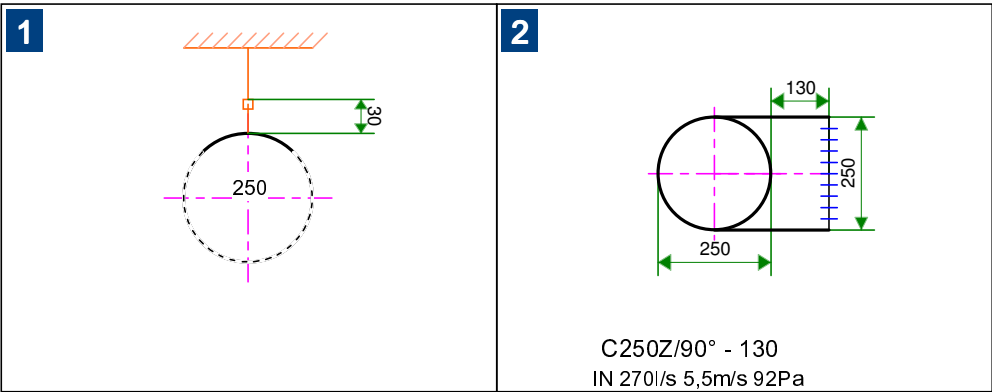
Profiles made-to-measure – do not cut!




The numbers of parts from the drawing are printed on the labels at zips.

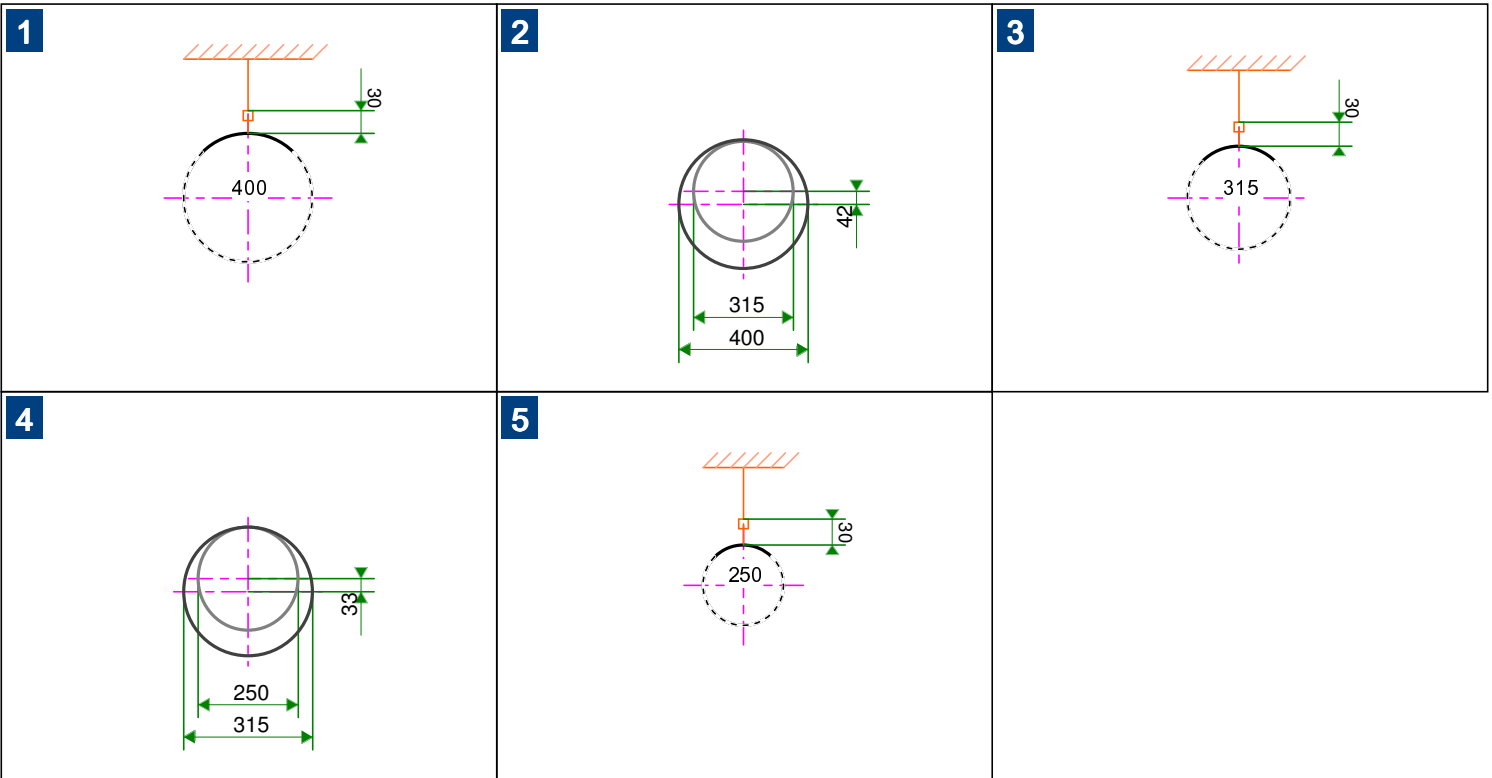
Dimensions in (mm)

DRAWING N.	VERSION	PAGE	DATE	DRAW	NO SCALE	 +3725236671
Č. VÝKRESU	VERZE	LIST	DATUM	KRESLIL	BEZ	
Epiim	1	3/11	20.5.2021	Erki-Heiki Meerits	MĚŘÍTKA	

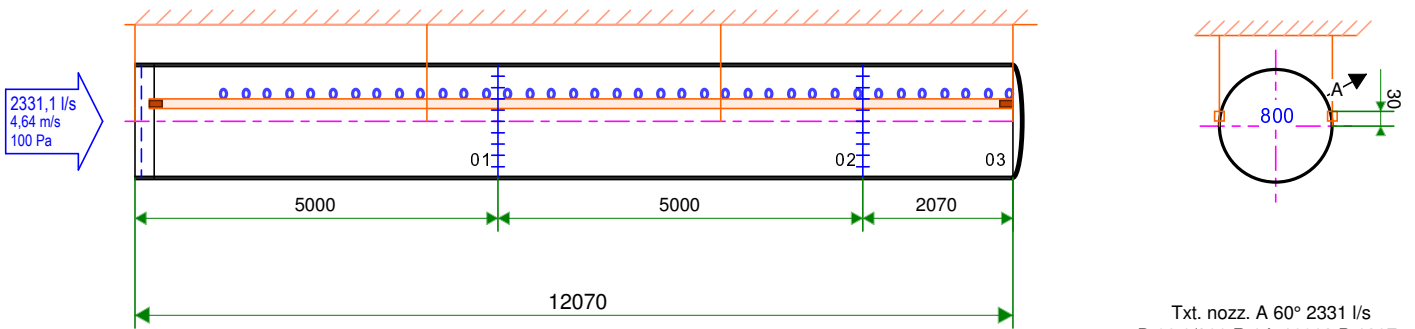


The numbers of parts from the drawing are printed on the labels at zips. Dimensions in (mm)

DRAWING N.	VERSION	PAGE	DATE	DRAW	NO SCALE	 +3725236671
Č. VÝKRESU	VERZE	LIST	DATUM	KRESLIL	BEZ	
Epiim	1	4/11	20.5.2021	Erki-Heiki Meerits	MĚŘÍTKA	

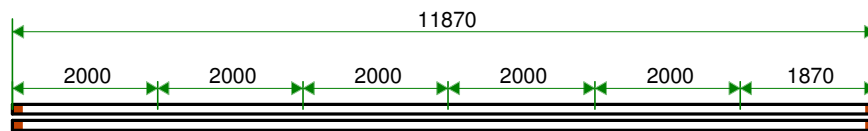


Position 7 - 2pcs ... 7 - C800/12070 HB/NMS-6AEL/LG

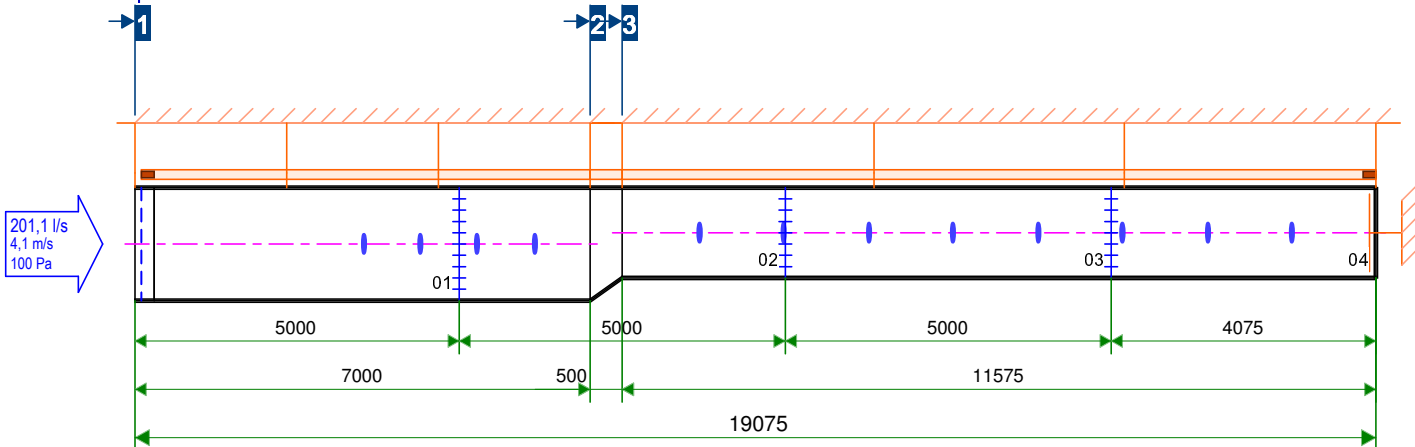


Profiles made-to-measure – do not cut!

Txt. nozz. A 60° 2331 l/s
D 86,0/300 R 1 L 10863 B 1207




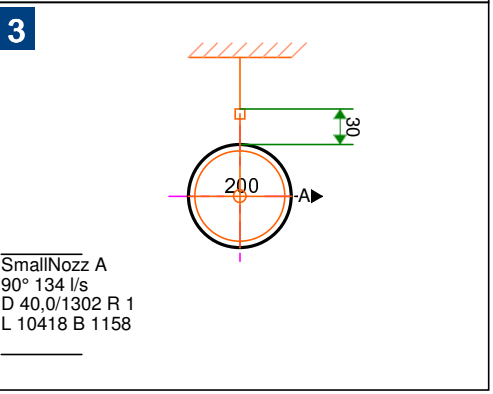
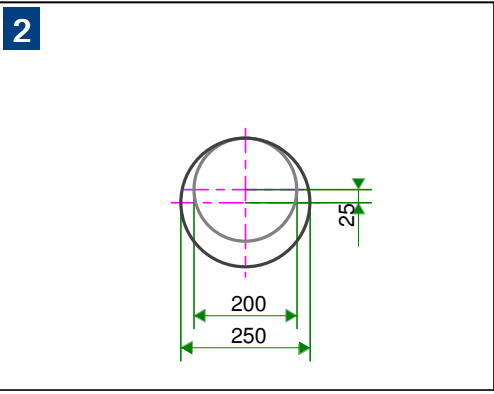
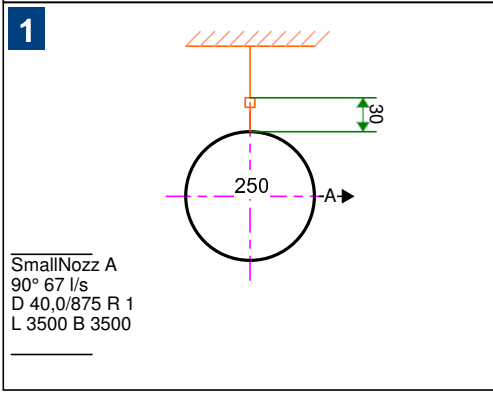
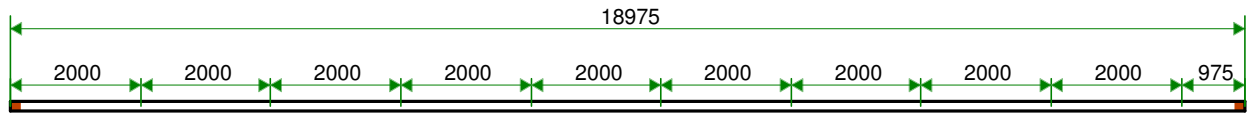
Position 8 - 1pcs ... 8 - C250/19075 HB/NMS-5AEL+7/LG



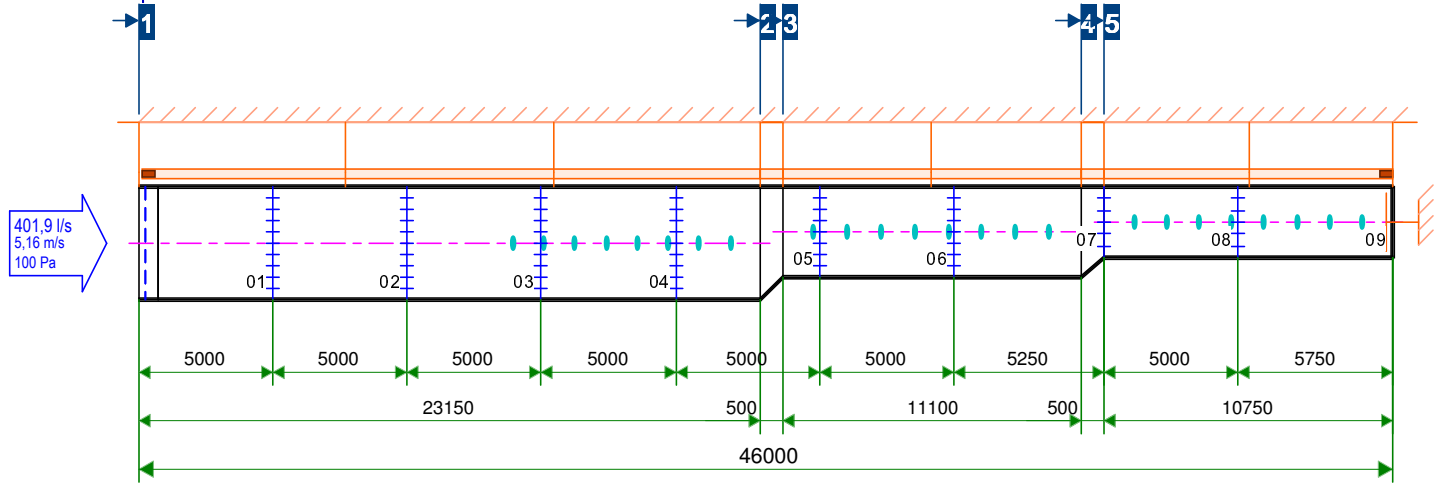
The numbers of parts from the drawing are printed on the labels at zips.

Dimensions in (mm)

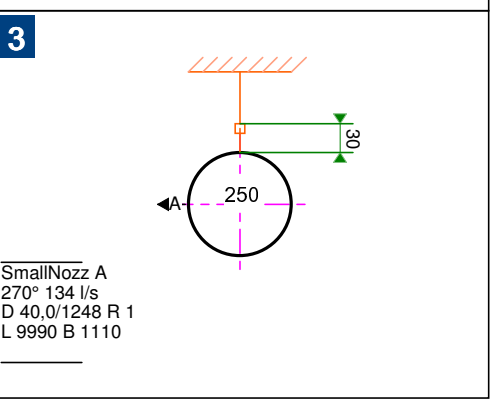
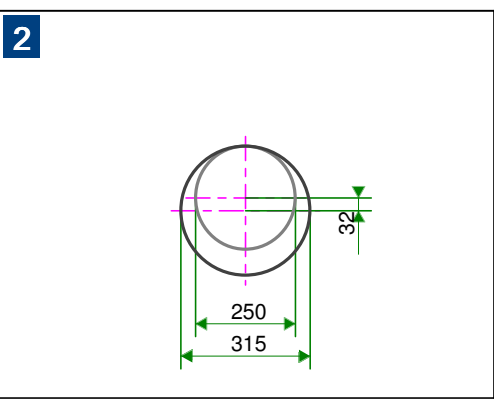
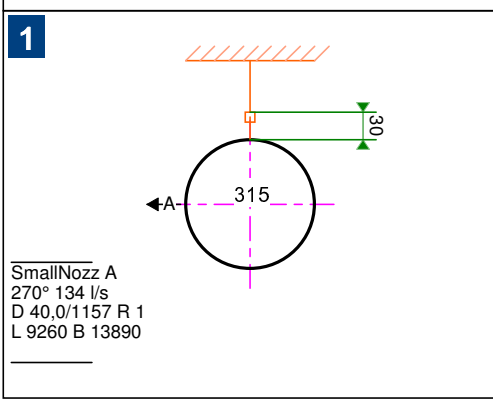
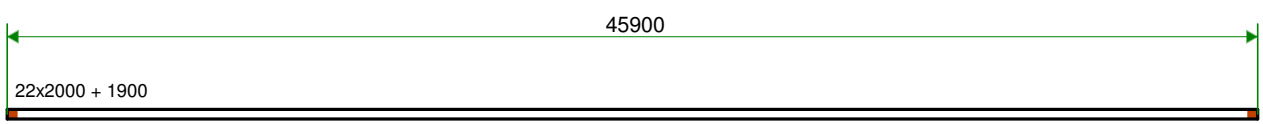
DRAWING N.	VERSION	PAGE	DATE	DRAW	NO SCALE	 +3725236671
Č. VÝKRESU	VERZE	LIST	DATUM	KRESLIL	BEZ	
Epiim	1	5/11	20.5.2021	Erki-Heiki Meerits	MĚŘÍTKA	



Position 9 - 1pcs ... 9 - C315/46000 HB/NMS-5AEL+7/LG




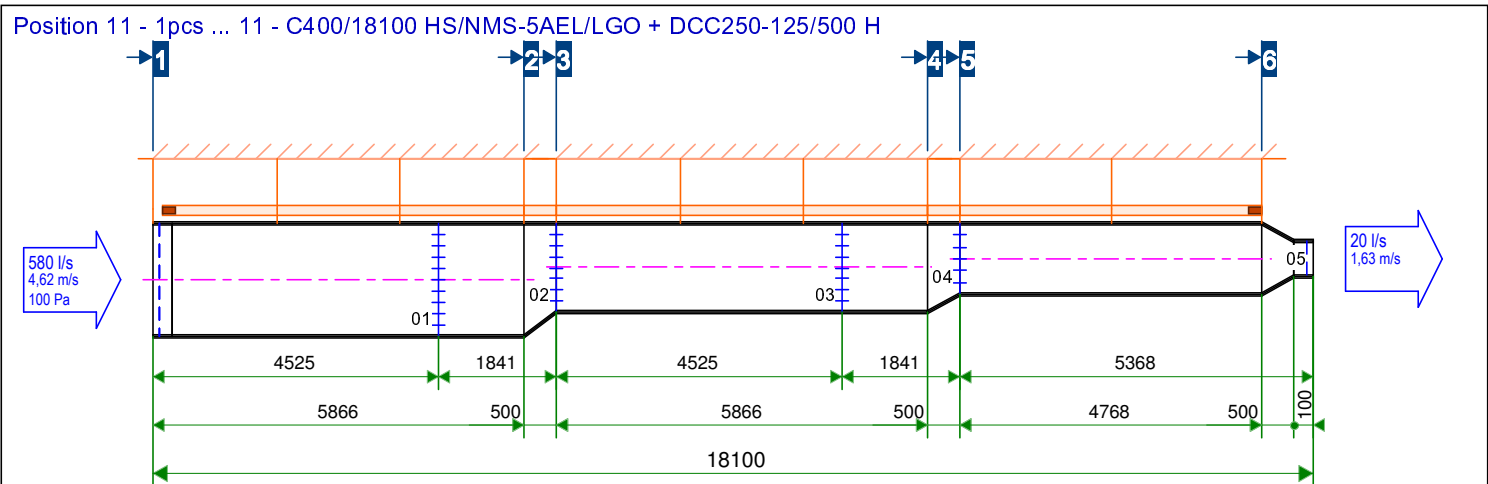
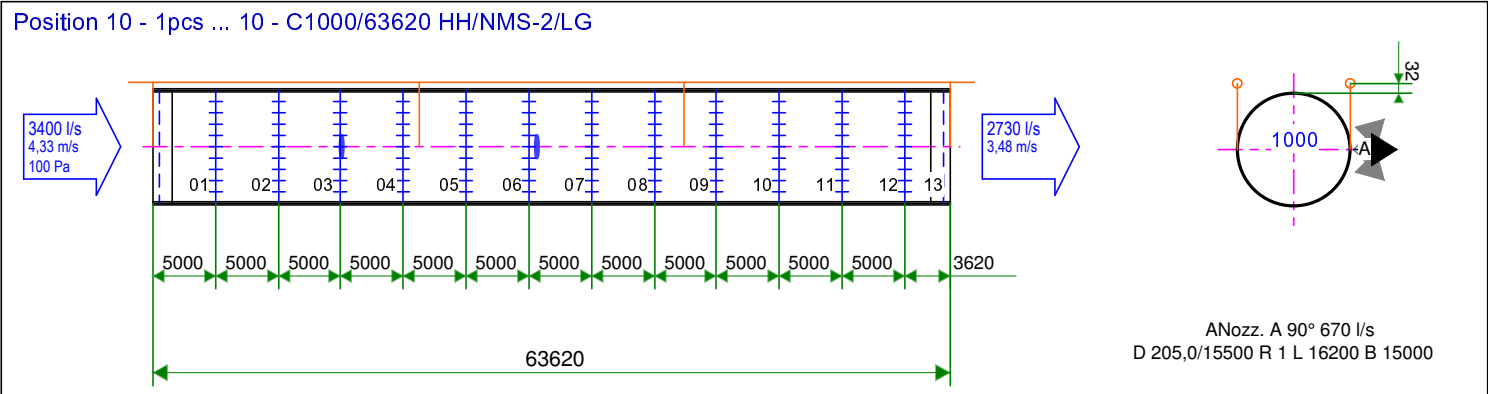
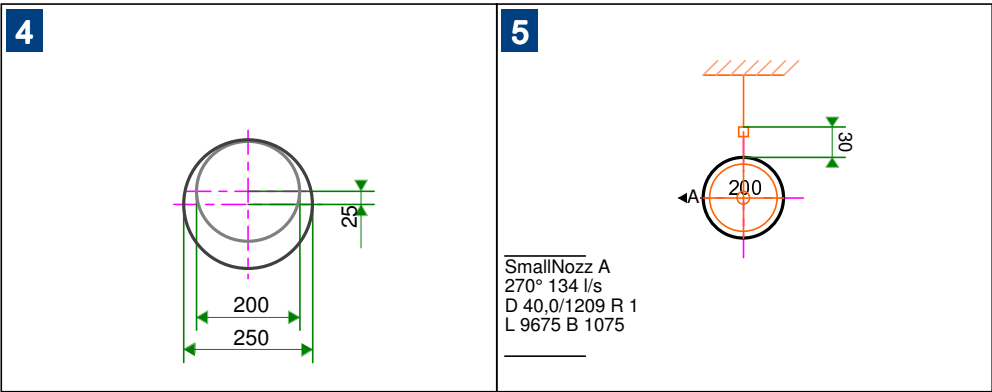
Profiles made-to-measure – do not cut!



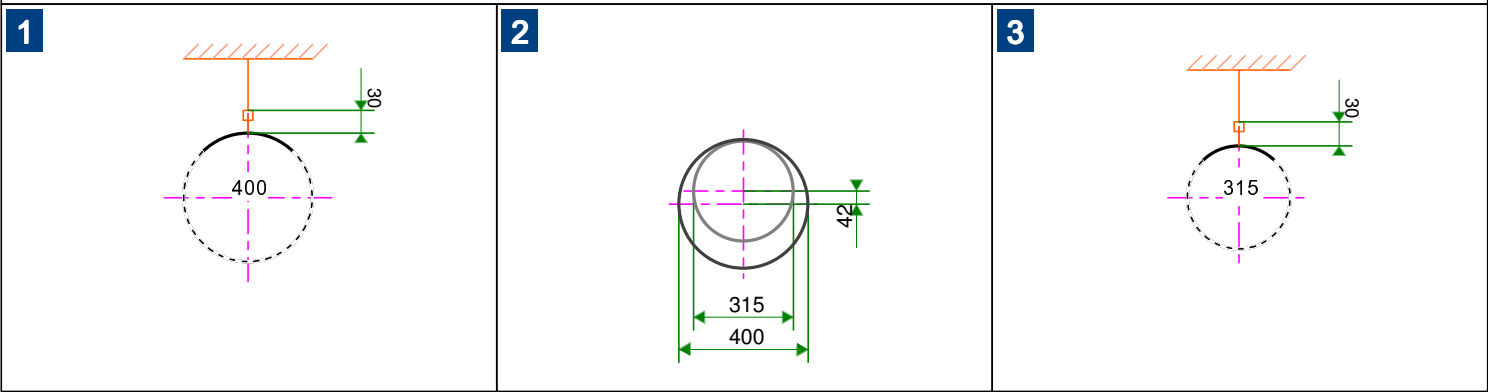
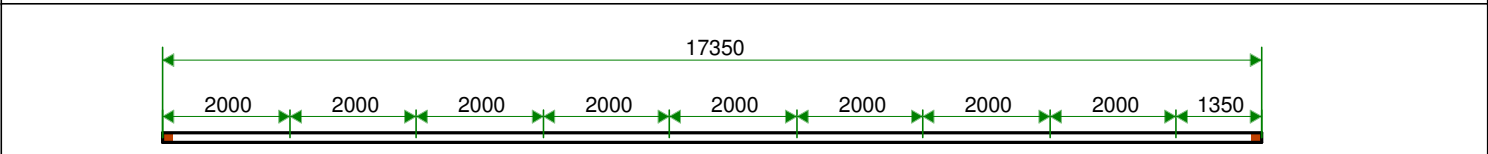
The numbers of parts from the drawing are printed on the labels at zips.

Dimensions in (mm)

DRAWING N.	VERSION	PAGE	DATE	DRAW	NO SCALE	 +3725236671
Č. VÝKRESU	VERZE	LIST	DATUM	KRESLIL	BEZ	
Epiim	1	6/11	20.5.2021	Erki-Heiki Meerits	MĚŘÍTKA	



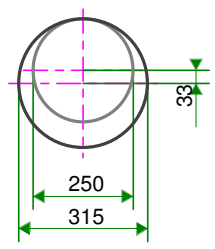
Profiles made-to-measure – do not cut!



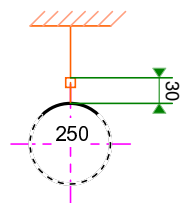
The numbers of parts from the drawing are printed on the labels at zips. Dimensions in (mm)

DRAWING N.	VERSION	PAGE	DATE	DRAW	NO SCALE	+3725236671
Č. VÝKRESU	VERZE	LIST	DATUM	KRESLIL	BEZ	
Epiim	1	7/11	20.5.2021	Erki-Heiki Meerits	MĚŘÍTKA	

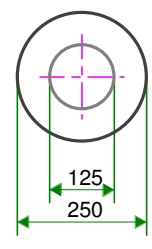
4



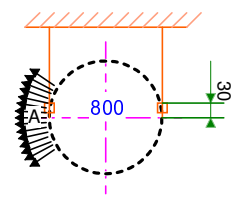
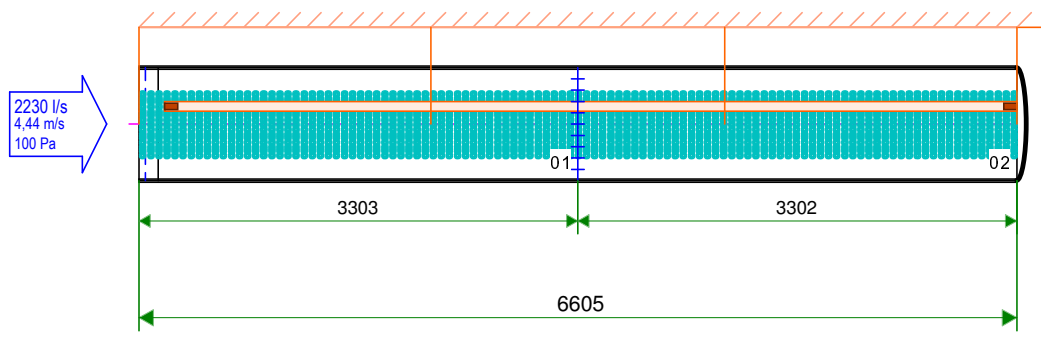
5



6

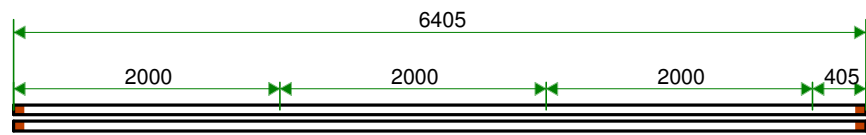


Position 12 - 1pcs ... 12 - C800/6605 HB/NMS-6AEL/LG

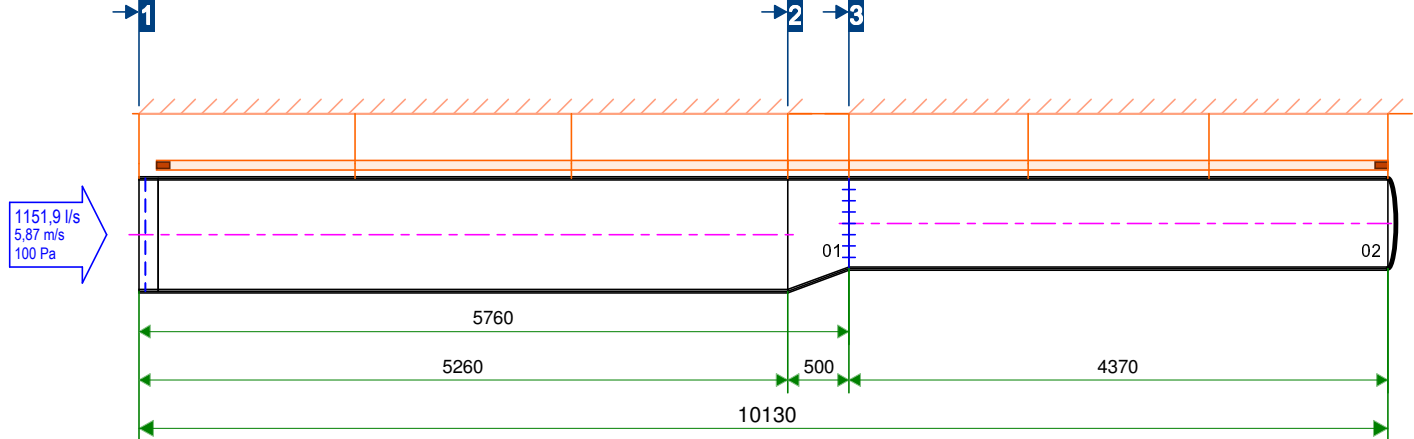


Perfo A 270° 2168 l/s
D 13,1/60 R 15/32

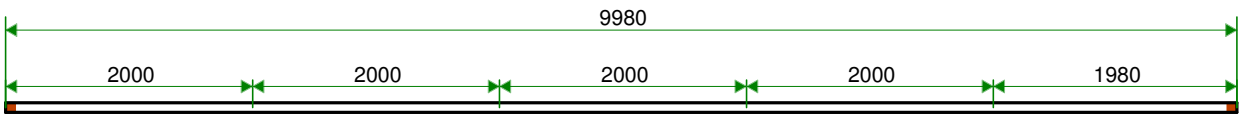
Profiles made-to-measure – do not cut!



Position 13 - 1pcs ... 13 - C500/10130 HB/NMS-5AEL/LG




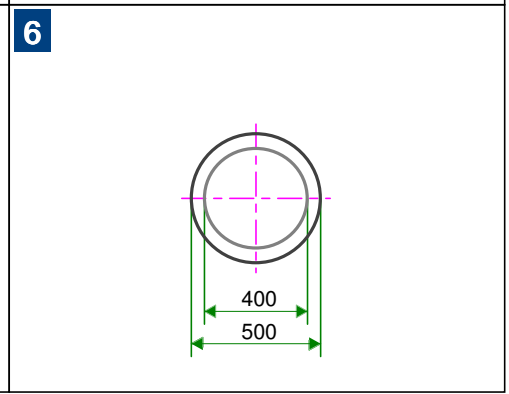
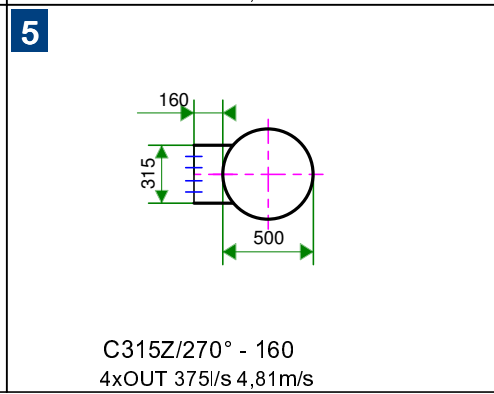
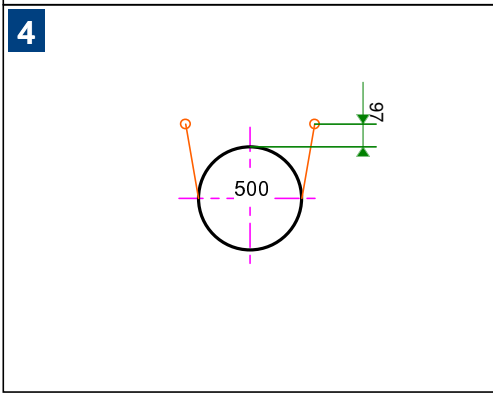
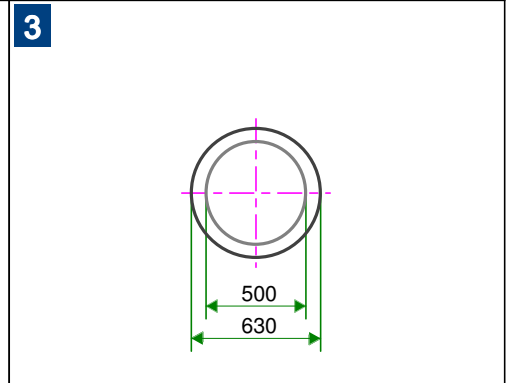
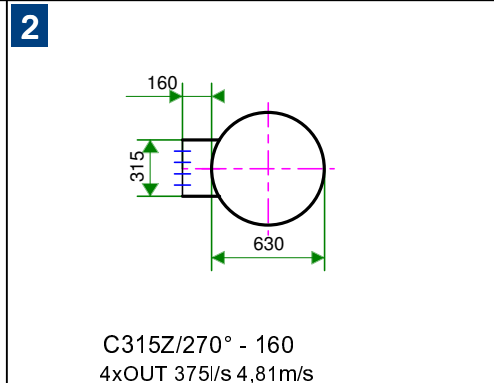
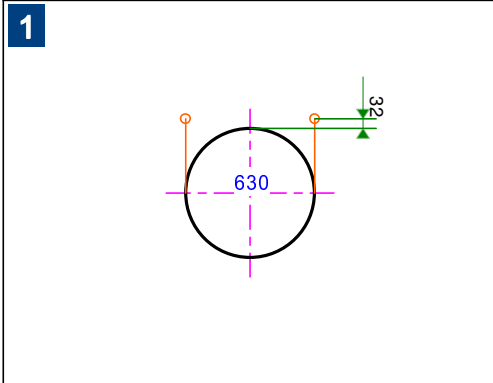
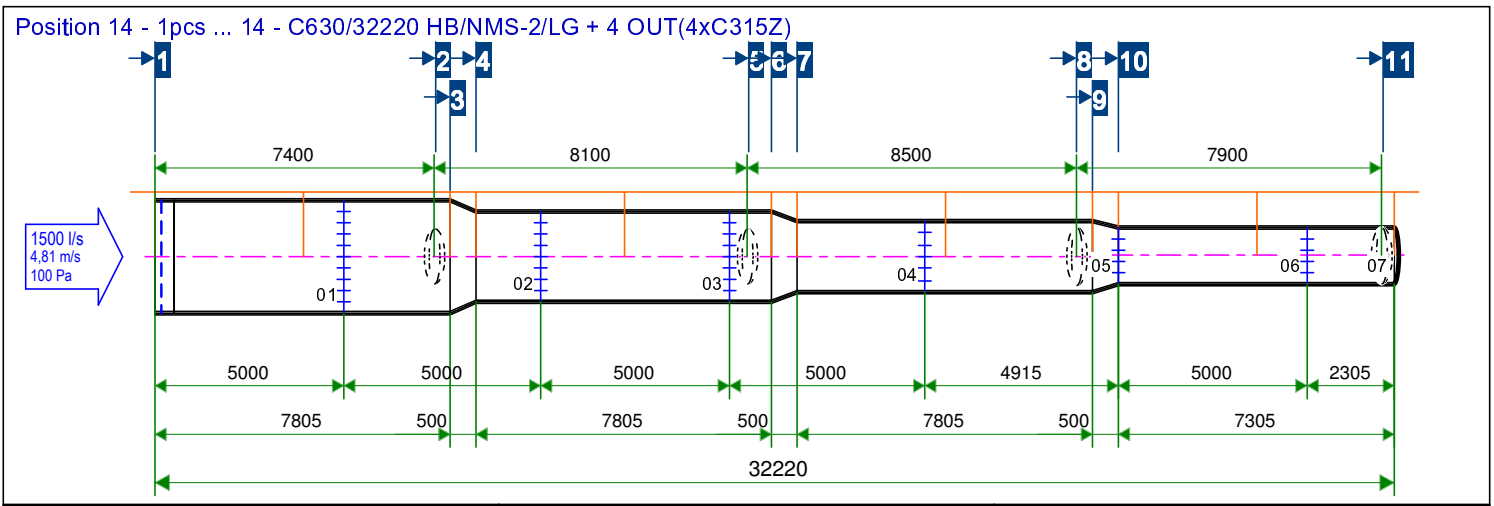
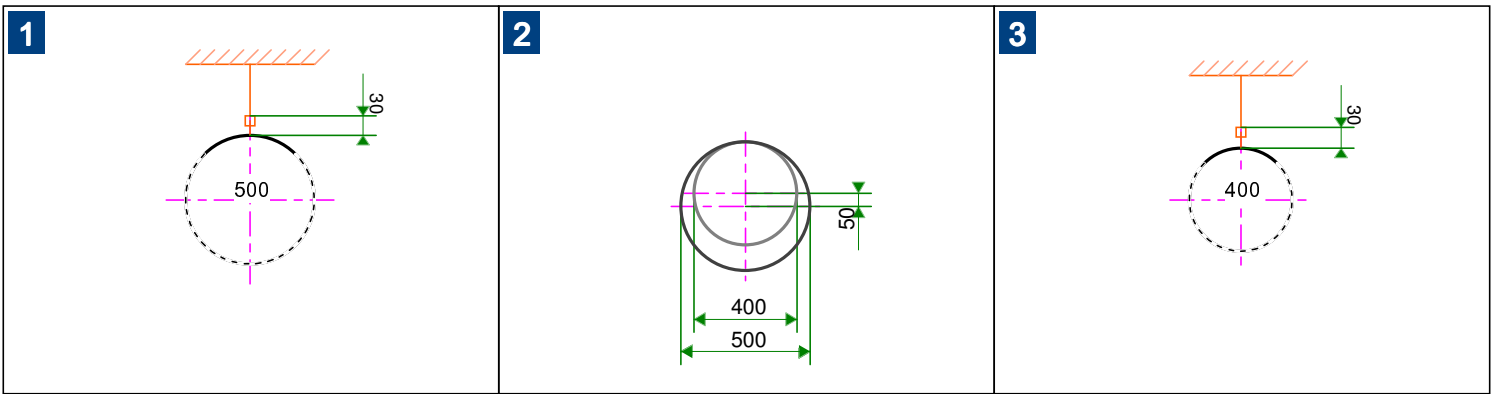
Profiles made-to-measure – do not cut!




The numbers of parts from the drawing are printed on the labels at zips.

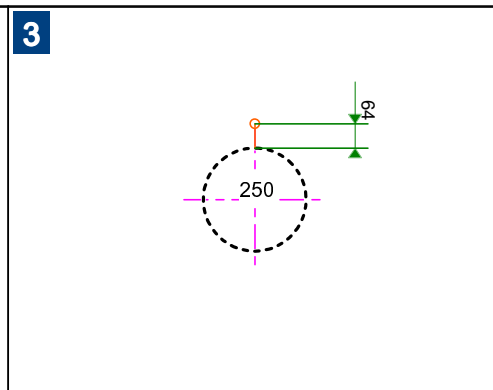
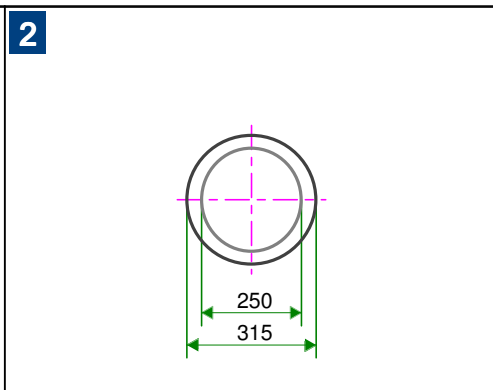
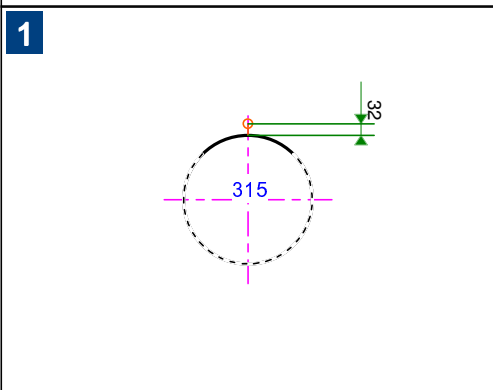
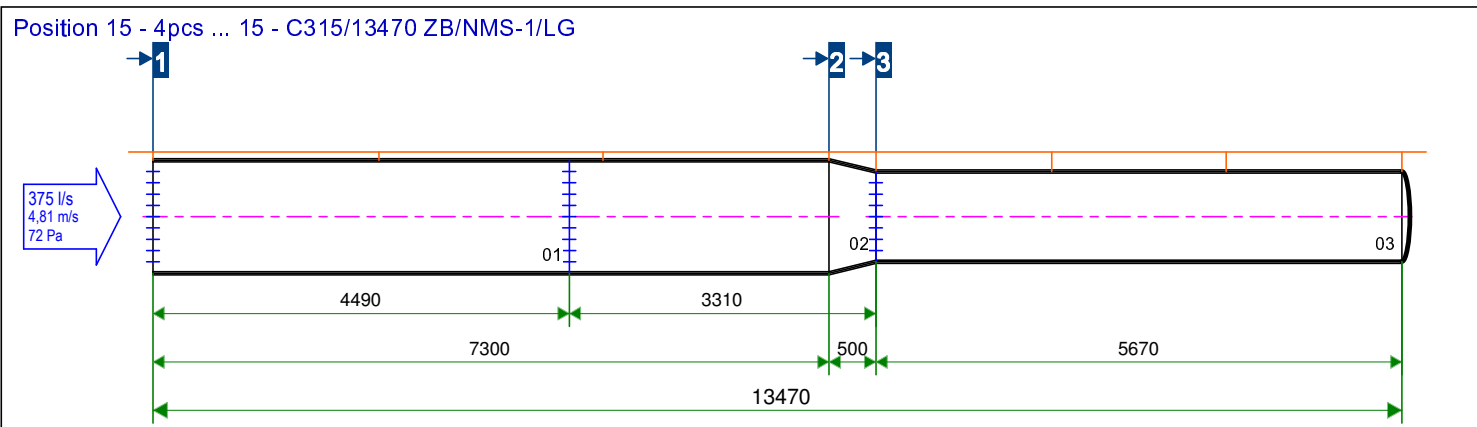
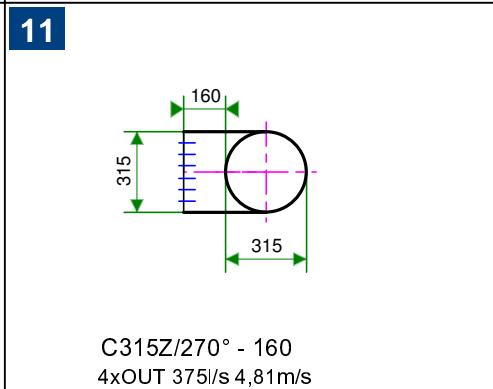
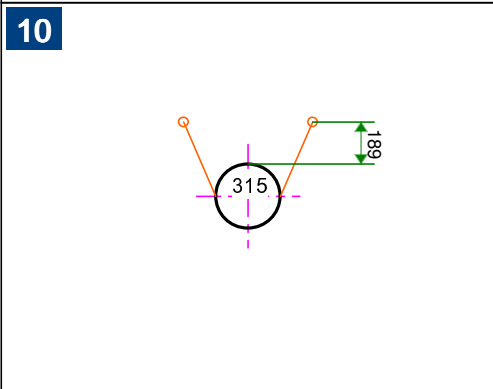
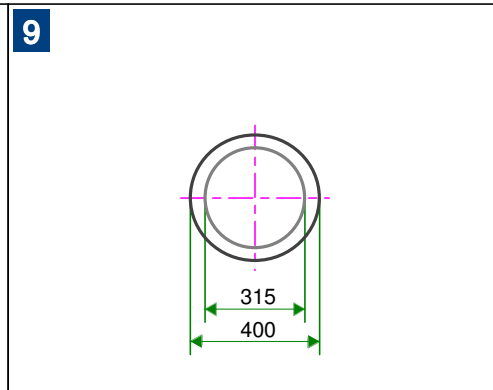
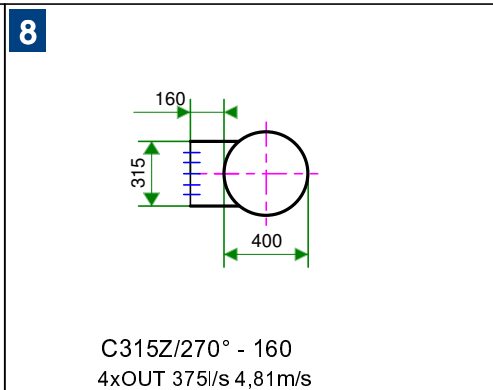
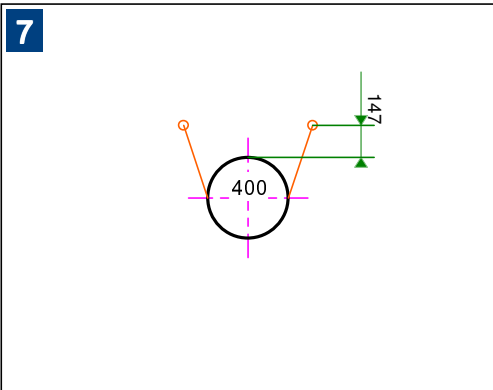
Dimensions in (mm)

DRAWING N.	VERSION	PAGE	DATE	DRAW	NO SCALE	 +3725236671
Č. VÝKRESU	VERZE	LIST	DATUM	KRESLIL	BEZ	
Epiim	1	8/11	20.5.2021	Erki-Heiki Meerits	MĚŘÍTKA	




The numbers of parts from the drawing are printed on the labels at zips. Dimensions in (mm)

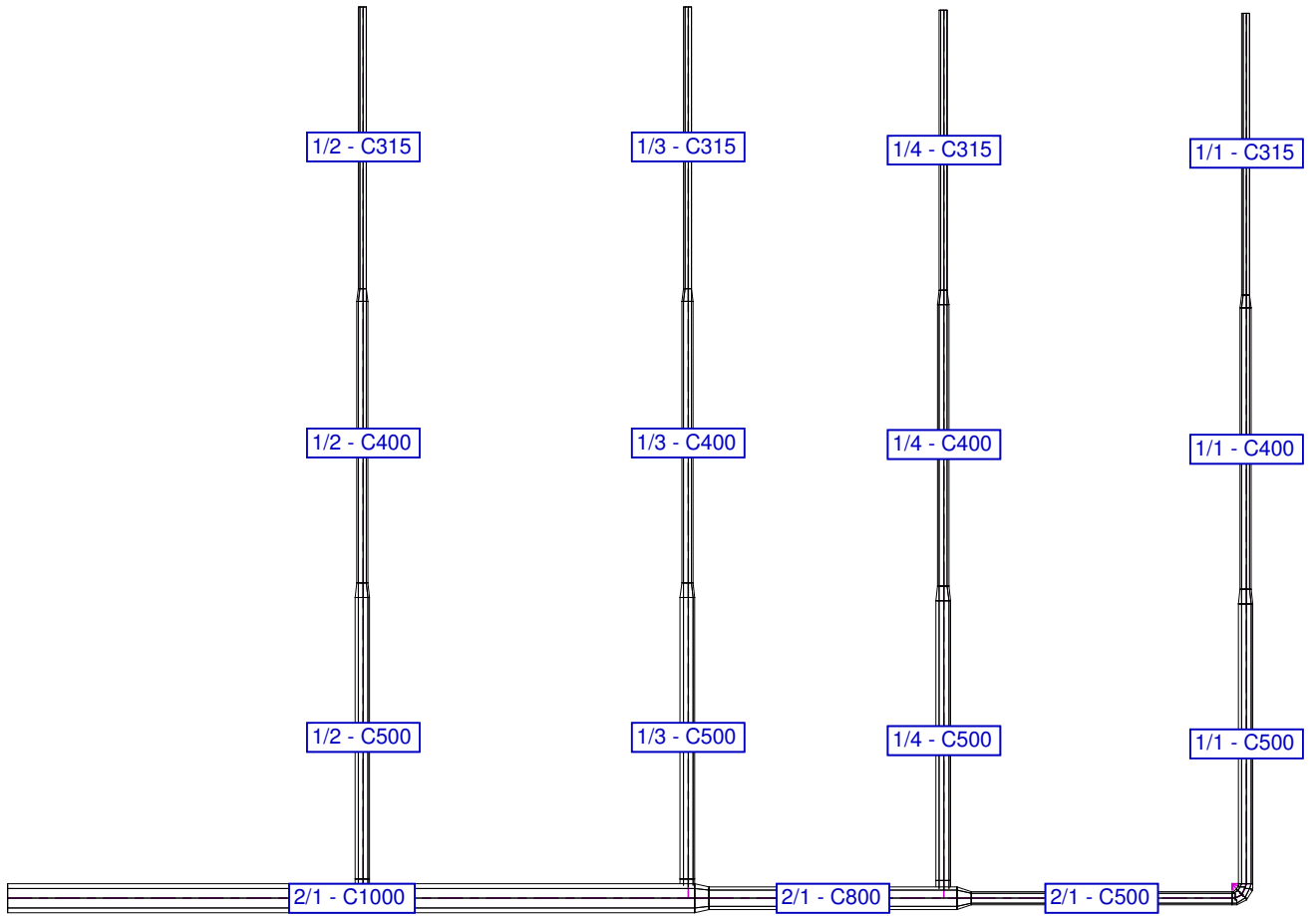
DRAWING N.	VERSION	PAGE	DATE	DRAW	NO SCALE	 +3725236671
Č. VÝKRESU	VERZE	LIST	DATUM	KRESLIL	BEZ	
Epiim	1	9/11	20.5.2021	Erki-Heiki Meerits	MĚŘÍTKA	



The numbers of parts from the drawing are printed on the labels at zips.

Dimensions in (mm)


DRAWING N.	VERSION	PAGE	DATE	DRAW	NO SCALE	 +3725236671
Č. VÝKRESU	VERZE	LIST	DATUM	KRESLIL	BEZ	
Epiim	1	10/11	20.5.2021	Erki-Heiki Meerits	MĚŘÍTKA	

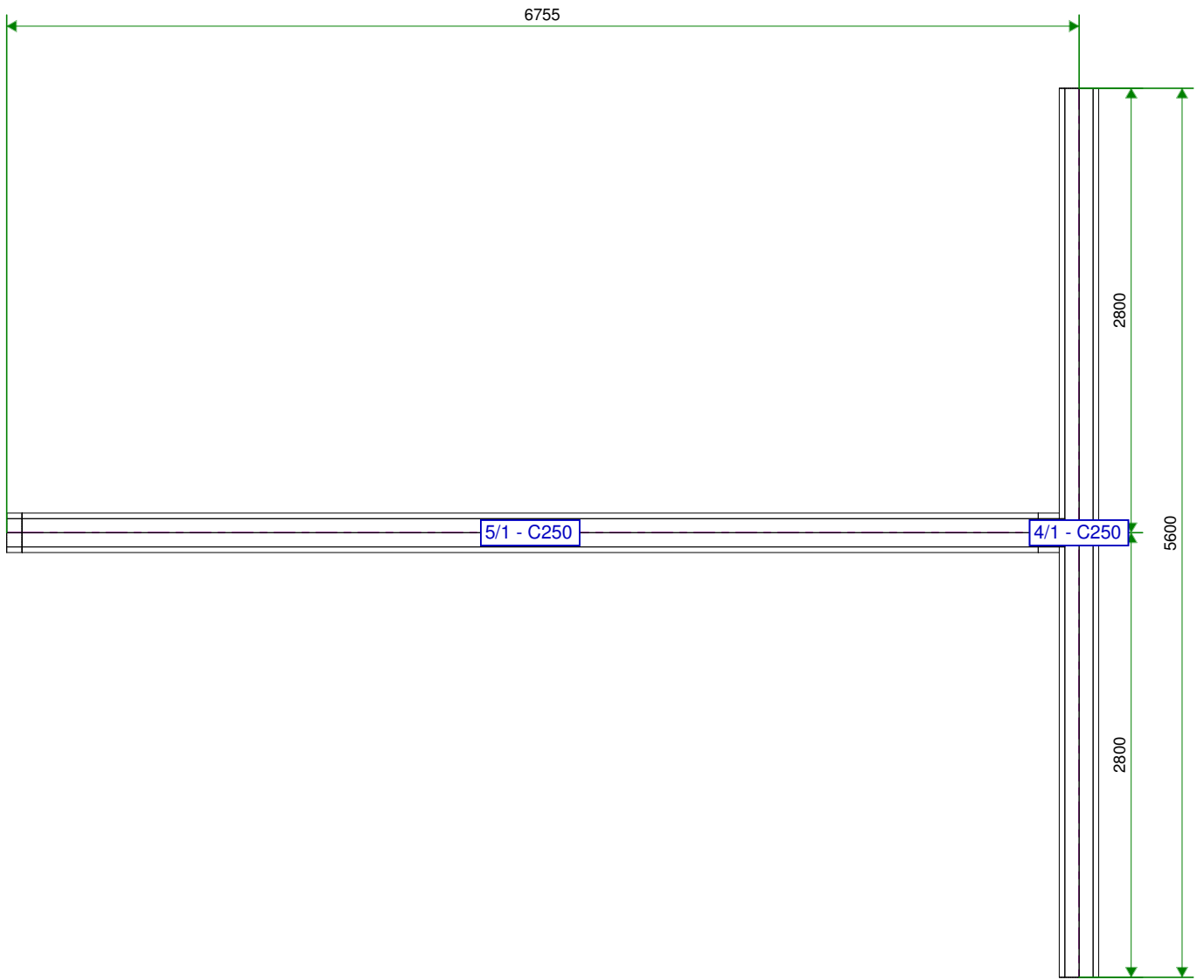


Color

The view is from 0° angle (0° = Top view, 90° or 270° = Side view)


Aspect ratio (Size : Length) 1 : 1

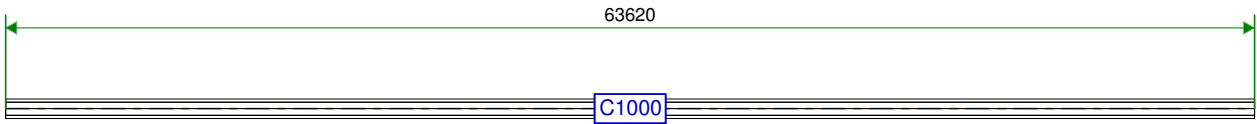
DRAWING N.	VERSION	SYSTEM	DATE	DRAW	NO SCALE	 +3725236671
Č. VÝKRESU	VERZE	SYSTÉM	DATUM	KRESLIL	BEZ	
Epiim	1	1	20.5.2021	Erki-Heiki Meerits	MĚŘÍTKA	



The view is from 0° angle (0° = Top view, 90° or 270° = Side view)


Color Aspect ratio (Size : Length) 1 : 1

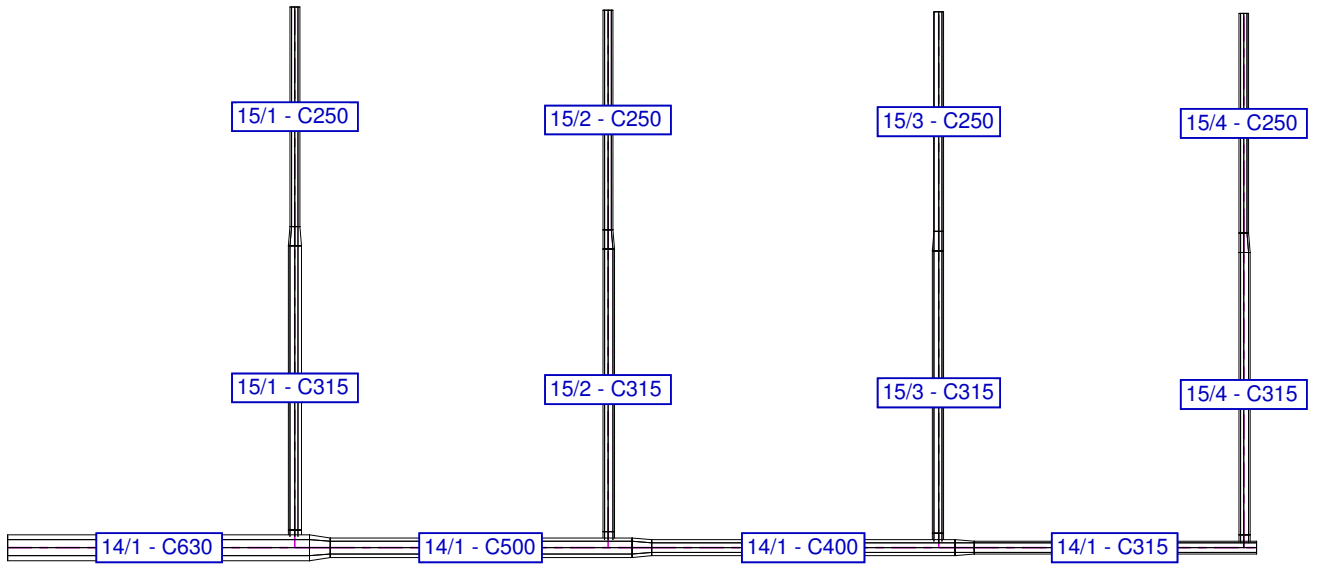
DRAWING N.	VERSION	SYSTEM	DATE	DRAW	NO SCALE	 +3725236671
Č. VÝKRESU	VERZE	SYSTÉM	DATUM	KRESLIL	BEZ	
Epiim	1	2	20.5.2021	Erki-Heiki Meerits	MĚŘÍTKA	




The view is from 0° angle (0° = Top view, 90° or 270° = Side view)

Aspect ratio (Size : Length) 1 : 1

DRAWING N.	VERSION	POSITION	DATE	DRAW	NO SCALE	 +3725236671
Č. VÝKRESU	VERZE	POZICE	DATUM	KRESLIL	BEZ	
Epiim	1	10	20.5.2021	Erki-Heiki Meerits	MĚŘÍTKA	



The view is from 0° angle (0° = Top view, 90° or 270° = Side view) Color
 Aspect ratio (Size : Length) 1 : 1

DRAWING N.	VERSION	SYSTEM	DATE	DRAW	NO SCALE	 +3725236671
Č. VÝKRESU	VERZE	SYSTÉM	DATUM	KRESLIL	BEZ	
Epiim	1	3	20.5.2021	Erki-Heiki Meerits	MĚŘÍTKA	