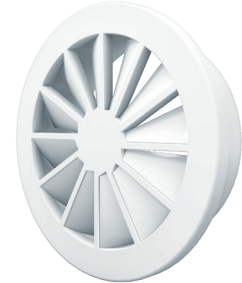


WR210

ROUND SWIRL DIFFUSER WITH FIXED BLADES

Variations [WR200](#) [WR210](#)



Round steel swirl diffuser with fixed blades for air supply with high induction, i.e. an efficient reduction of room temperature differences. Ideal for the supply of strongly cooled and heated air with optimal conservation of comfort. The flat, simple and sleek design has an aesthetical added-value for designers and building owners. Extensive mounting options. Standard finishing RAL 9010.

Optimal room comfort

Appropriate for both VAV and CAV applications

Available in different executions and finishes



ACCESSORIES

[WP200S](#) [WP210S](#)

[WP200T](#) [WP210T](#)

[GR003](#)

TECHNICAL DETAILS

APPLICATION	Airflow direction	Horizontal
	Airflow type	Swirl
		Supply, exhaust
CONSTRUCTION	Shape	Round
	Available sizes	Ø100, 125, 160, 200, 250, 315, 400, 500
MATERIAL	Standard material	Powder-coated sheet steel
	Standard finishing	RAL9010
	Product finishing options	Powder coating RAL
PLENUM	Perforated pressure distribution plate	Yes
	Spigot	Class D spigot with double lip seal
	Volume control	Perforated volume flow control disk inside the spigot
	Material	Galvanised steel sheet, PP/TPE spigot
	Optional insulation	Melamine 6mm
TRANSITION PIECE	Perforated pressure distribution plate	Yes
	Material	Galvanised steel sheet
	Mounting options	Mounting eyes (Ø7mm)
MOUNTING	Duct	Fixed by lateral screws
	Plenum	Fixed by lateral screws, or removable by central screw (with cover cap)
	Transition piece	Fixed by lateral screws, or removable by central screw (with cover cap)

QUICK SELECTION DIAGRAM

WR210 Ø (mm)	L _w		
	25 dB(A)	30 dB(A)	35 dB(A)
100	29	35	43
125	43	53	64
160	78	95	116
200	128	156	191
250	212	256	309
315	343	418	510
400	574	702	857
500	928	1138	1394

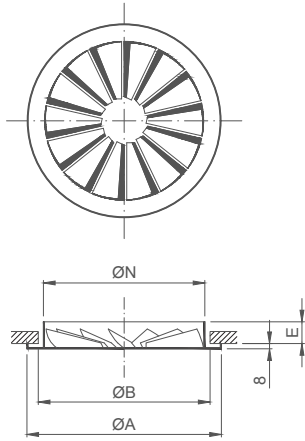
ROUND SWIRL DIFFUSER WITH FIXED BLADES

WR200 WR210

DRAWING

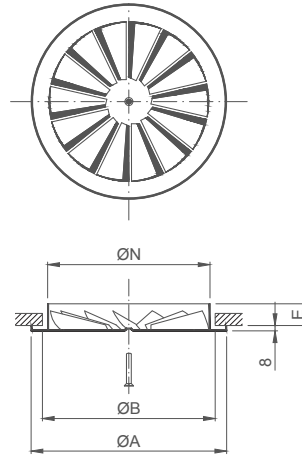
WR200

Direct mounting on duct with lateral screws (screws not included).



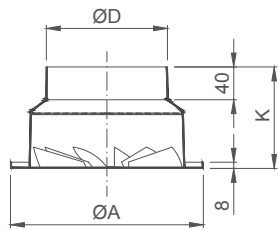
WR210

Direct mounting on duct with central screw.



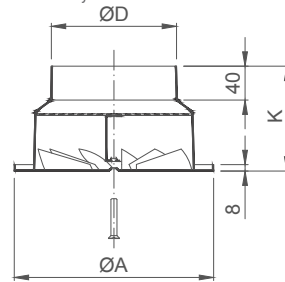
WR200T (WR200 + WP200T)

Direct mounting of transition piece WP200T on duct by lateral screws. Diffuser fixed on transition piece WP200T.



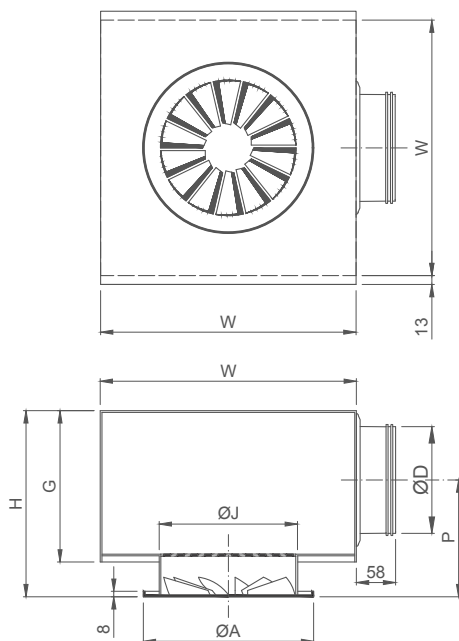
WR210T (WR210 + WP210T)

Direct mounting of transition piece WP210T on duct by lateral screws. Diffuser removable from transition piece WP210T by central screw.



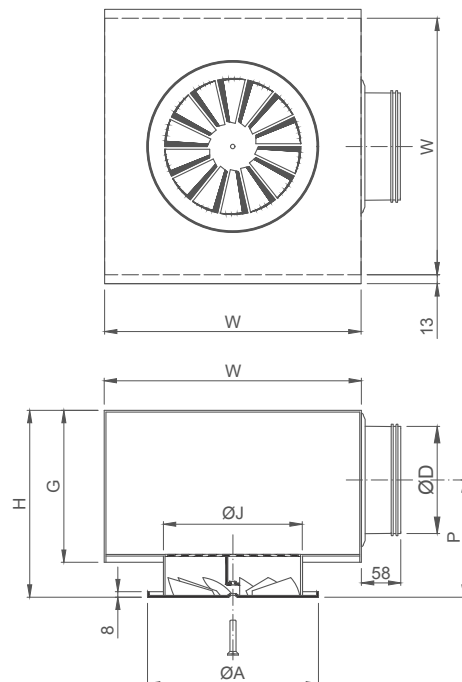
WR200S (WR200 + WP200S)

Fixed mounting on plenum with lateral screws.



WR210S (WR210 + WP210S)

Diffuser removable from plenum by central screw.



DIMENSIONS

Size	A	B	D	E	G	H	J	K	N	P	W
100	138	115	78	36	140	235	102	120	98	178	200
125	178	140	98	22	160	255	127	126	123	183	275
160	195	175	123	28	185	280	162	131	158	193	325
200	248	215	158	36	220	315	202	131	198	210	375
250	298	265	198	36	260	355	252	136	248	230	450
315	363	330	248	36	310	405	317	144	313	264	500
400	600	415	313	36	375	470	402	177	398	286	600
500	700	515	398	36	460	555	502	-	498	340	800

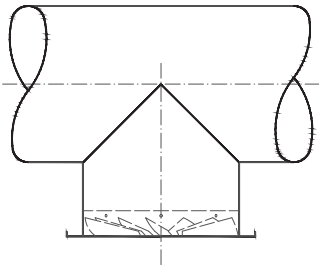
All sizes in mm.

ALLOWED DIMENSIONS

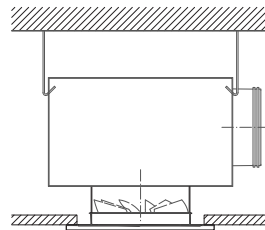
Size	WR200 WR210	WR200T WR210T	WR200S(G) WR210S(G)
100			
125			
160			
200			
250			
315			
400			
500			

MOUNTING OPTIONS

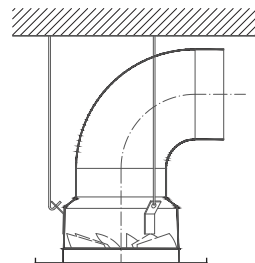
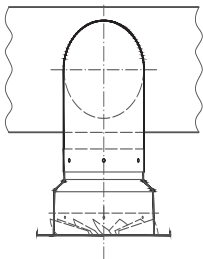
DIRECT CONNECTION



LATERAL CONNECTION WITH PLENUM BOX



TOP CONNECTION WITH TRANSITION PIECE



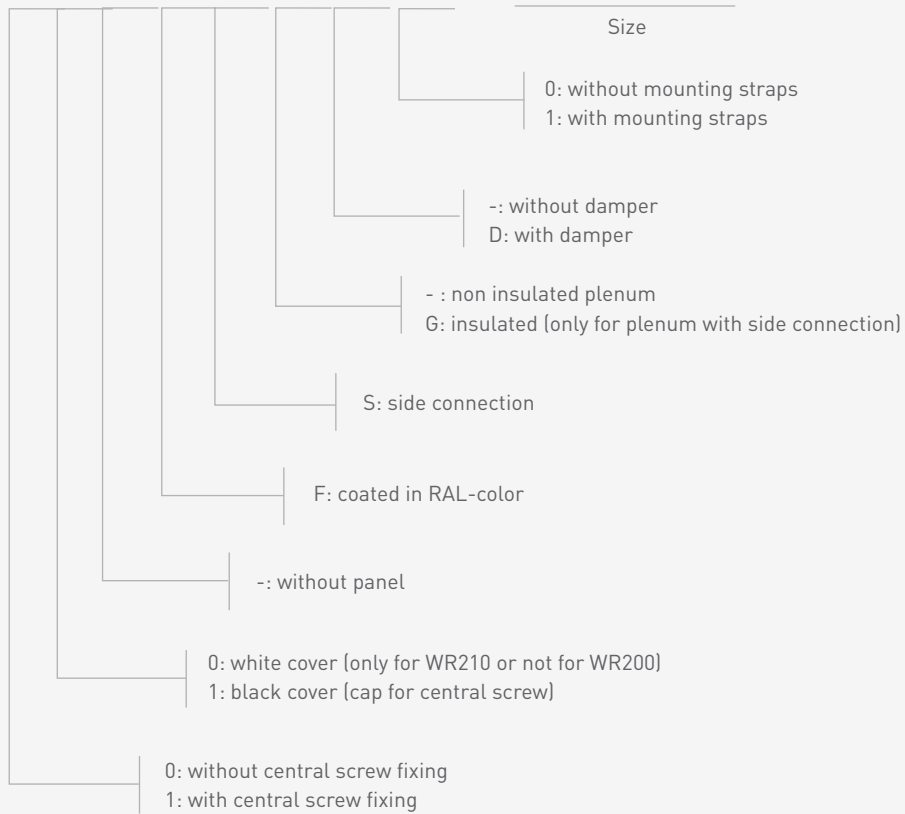
ROUND SWIRL DIFFUSER WITH FIXED BLADES

WR200 WR210

HOW TO ORDER

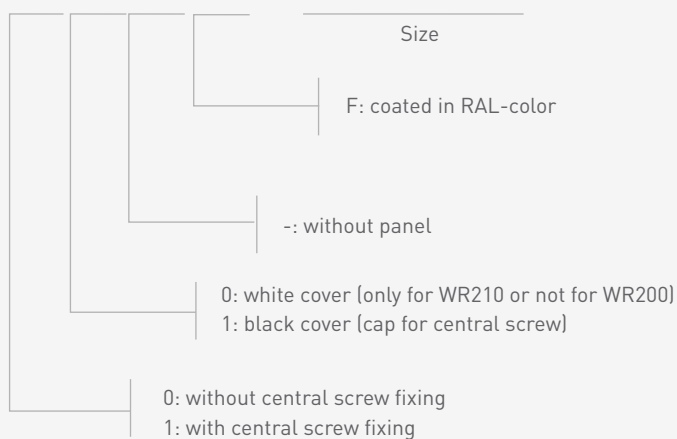
DIFFUSER + PLENUM:

W	R	2	1	0	-	F	S	G	D	0	0	1	2	5
---	---	---	---	---	---	---	---	---	---	---	---	---	---	---



DIFFUSER:

W	R	2	1	0	-	F	0	1	2	5
---	---	---	---	---	---	---	---	---	---	---



PLENUM:

W	P	2	1	0	S	G	D	0	0	2	5	0
---	---	---	---	---	---	---	---	---	---	---	---	---

