

SLS

ADJUSTABLE SLOT DIFFUSER WITH 20MM FLANGE

Variations [SLS](#) [SLS panel](#)



The adjustable aluminium slot diffuser type SLS is suitable for the supply and exhaust of cooled and heated air in, among other applications, offices, shops, meeting rooms,... This product is designed for ceiling or wall mounting and is available from 1 up to 6 slots. Each slot is individually adjustable and is equipped with 2 specially designed discrete deflectors. This results in an ideal air flow pattern that can be adjusted by 180° (vertical and horizontal air flow). SLS is available in several lengths. With multiple middle and end sections to create a linear diffuser up to any length.

[Easy mounting with mounting brackets \(in combination with SPS plenum box\)](#)

[Sleek design with discrete deflectors](#)

[Wide temperature range for both heating and cooling](#)



CEILING



ADJUSTABLE



SUSPENDED CEILING



LINEAR THROW

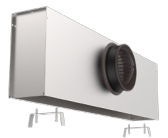
OPTIONS

[BOBSL](#)

ACCESSOIRES

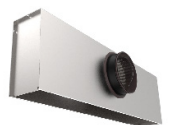
SPS

Plenum box with mounting brackets for slot diffuser type SLS (mounting brackets included)



SPB

Plenum box for direct mounting on slot diffuser type SLS and SLB



SPP

Plenum box for direct mounting on slot diffuser type SLS panel execution



TECHNICAL DETAILS

APPLICATION	Airflow direction	Horizontal, vertical, adjustable
	Airflow type	Linear, exhaust or supply
CONSTRUCTION	Shape	Linear
	Min. length	300 mm
	Max. length (in one piece)	2000 mm
	Available steps in length	1 mm
	Number of slots	1,2,3,4,5,6
	Flange size	20 mm
	Slot width	25 mm
	Installation depth	34 mm
	Panel width (for SLS panel)	300 mm
MATERIAL	Standard material	Extruded aluminium
	Standard finishing	Satin anodized 11µm
	Product finishing options	Powder coating RAL, Satin anodized 11µm
	Deflectors	Powder coated extruded aluminium
	Deflector fixation piece	POM
	Panel	Powder coated steel sheet metal
MOUNTING	Mounting options SLS	With mounting brackets on SPS plenum box. Fixed mounting on SPB plenum box
	Mounting options SLS on panel	Fixed mounting on SPP plenum box
PLENUM BOX	Material	Galvanised (275g/m ²) steel sheet, PP/TPE spigot
	Optional insulation	Melamine 6mm
	Spigot	Class D spigot with double lip seal
	Volume control	Optional perforated volume damper inside the spigot
	Mounting options	Mounting eyes (Ø7mm) standard, mounting brackets available upon request
	Perforated pressure distribution plate	Yes, for 5 and 6 slots only

QUICK SELECTION DIAGRAM

SLS

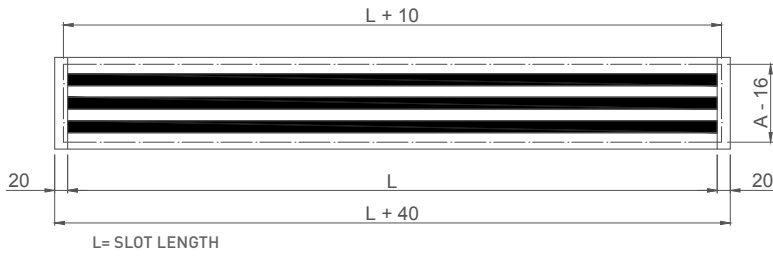
Qv [m ³ /h]	L (mm)				
	L _w	600	1000	1500	2000
	25 dB(A)	53	81	112	141
	35 dB(A)	77	117	163	205
SL---1	25 dB(A)	100	154	215	271
	35 dB(A)	144	221	307	387
SL---2	25 dB(A)	135	207	287	361
	35 dB(A)	197	301	417	525
SL---3	25 dB(A)	152	232	320	402
	35 dB(A)	225	343	473	594

ADJUSTABLE SLOT DIFFUSER WITH 20MM FLANGE

SLS SLS PANEL

STANDARD EXECUTIONS

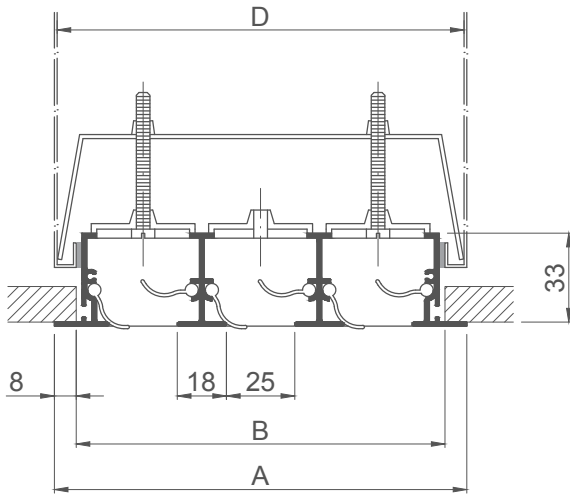
SLS



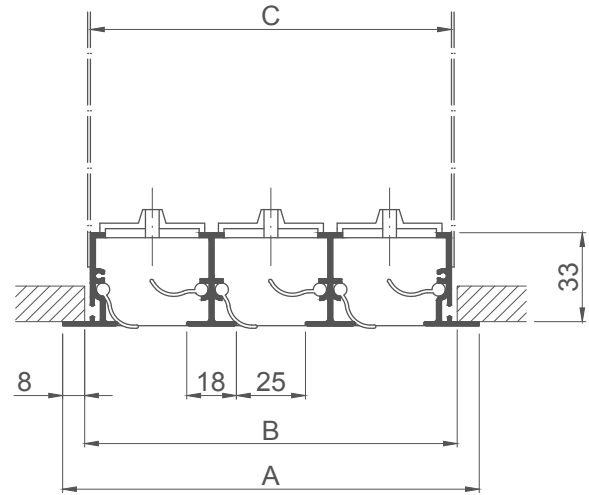
	Number of slots					
	1	2	3	4	5	6
A	65	108	151	194	237	280
B	49	92	135	178	221	264
C	46	89	132	175	219	262
D	63	106	149	192	235	278

All dimensions in mm.

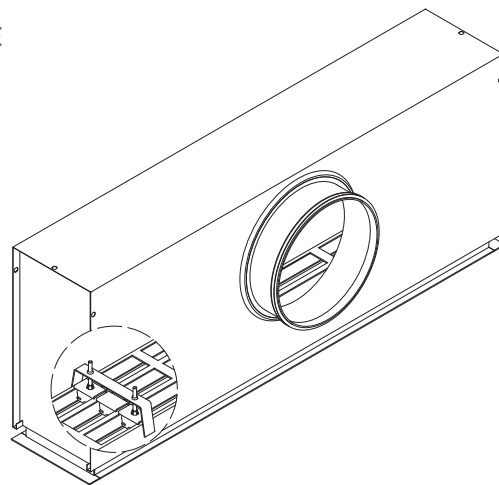
SLS + PLENUM BOX WITH MOUNTING BRACKETS (SPS)



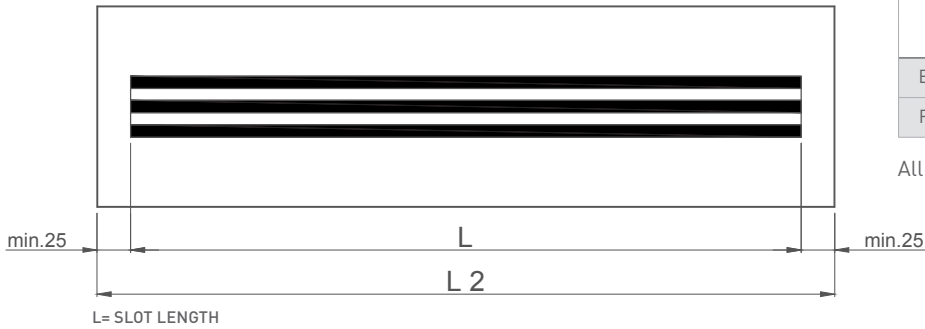
SLS + PLENUM BOX FOR FIXED MOUNTING (SPB)



MOUNTING EXAMPLE SLS + SPS



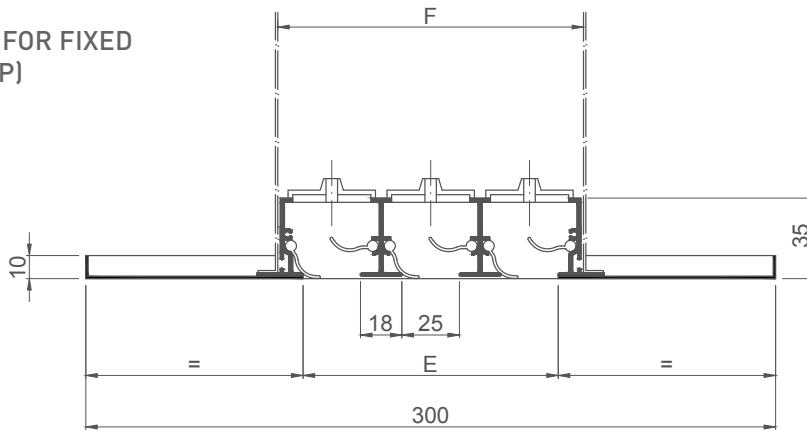
SLS PANEL



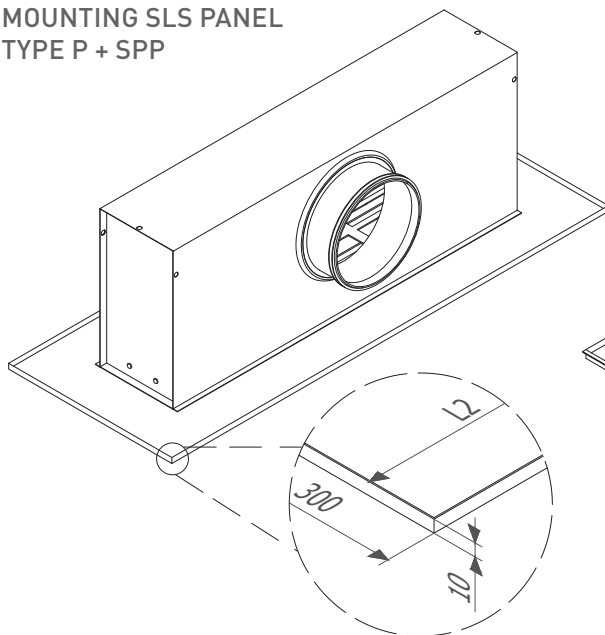
	Number of slots					
	1	2	3	4	5	6
E	25	68	111	154	197	240
F	46	89	132	175	219	262

All dimensions in mm.

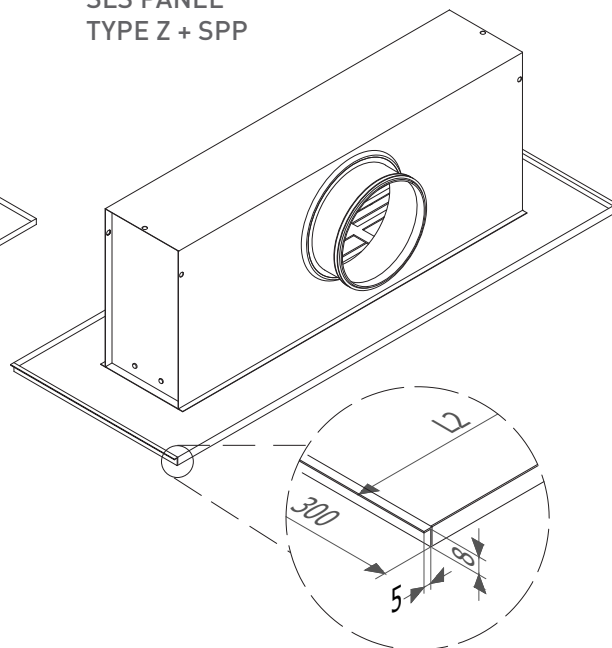
SLS + PLENUM FOR FIXED MOUNTING (SPP)



MOUNTING EXAMPLE FIXED MOUNTING SLS PANEL TYPE P + SPP



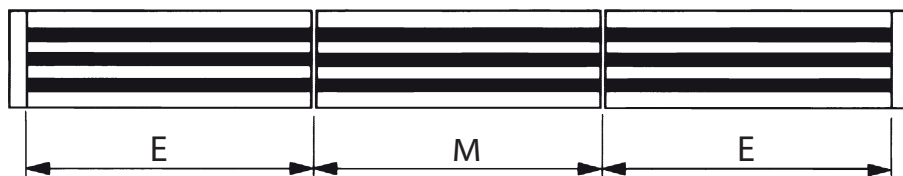
SLS PANEL TYPE Z + SPP



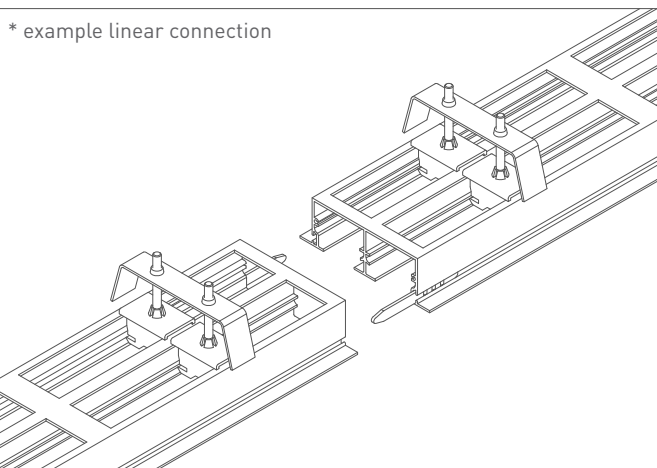
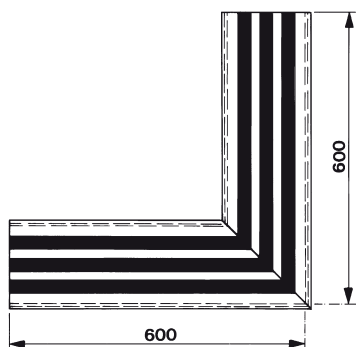
ADJUSTABLE SLOT DIFFUSER WITH 20MM FLANGE

SLS SLS PANEL

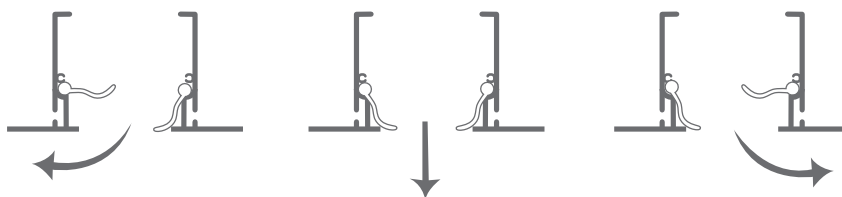
LINEAR EXECUTION*



CORNER PIECE 90°

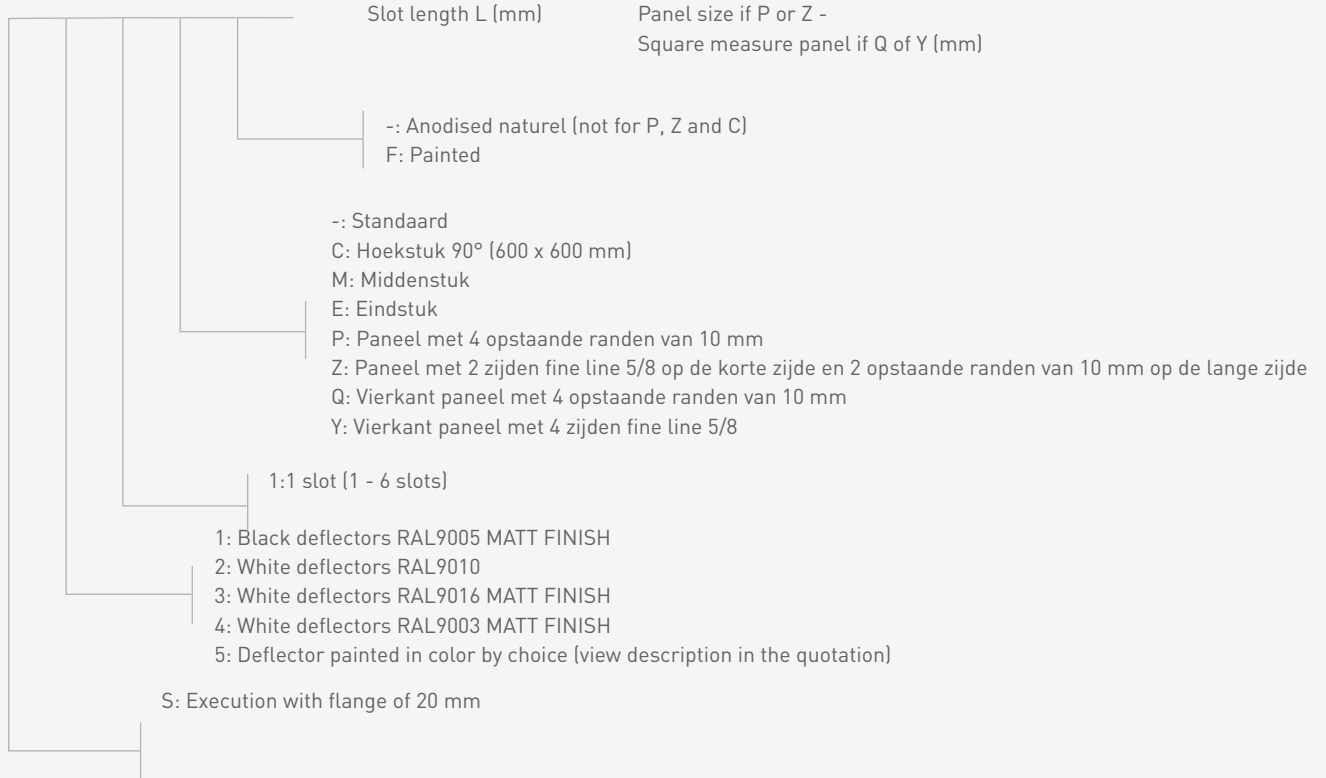


SETTING OF AIRFLOW DIRECTION



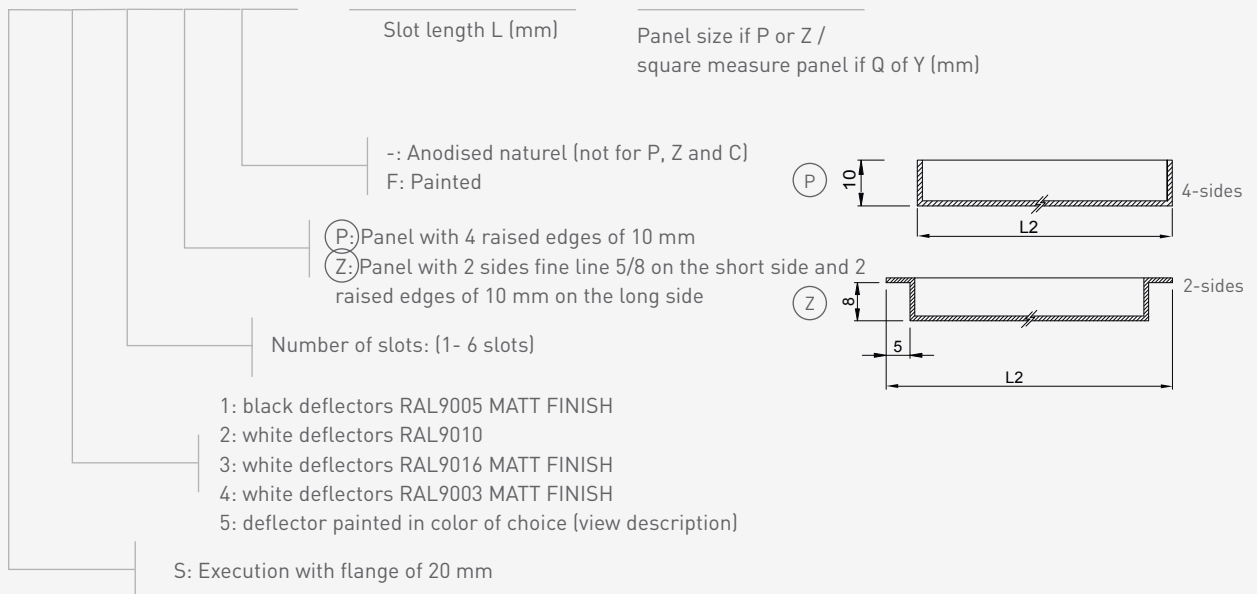
HOW TO ORDER

S	L	S	1	4	-	F	1	2	0	0	1	2	5	0
---	---	---	---	---	---	---	---	---	---	---	---	---	---	---



! Diffuser suitable for mounting on a plenum box type **SPS** (with mounting brackets)
Diffuser suitable the mounting on a plenum box type **SPB** (fixed mounting)

S	L	S	1	4	P	F	1	2	0	0	1	2	5	0
---	---	---	---	---	---	---	---	---	---	---	---	---	---	---

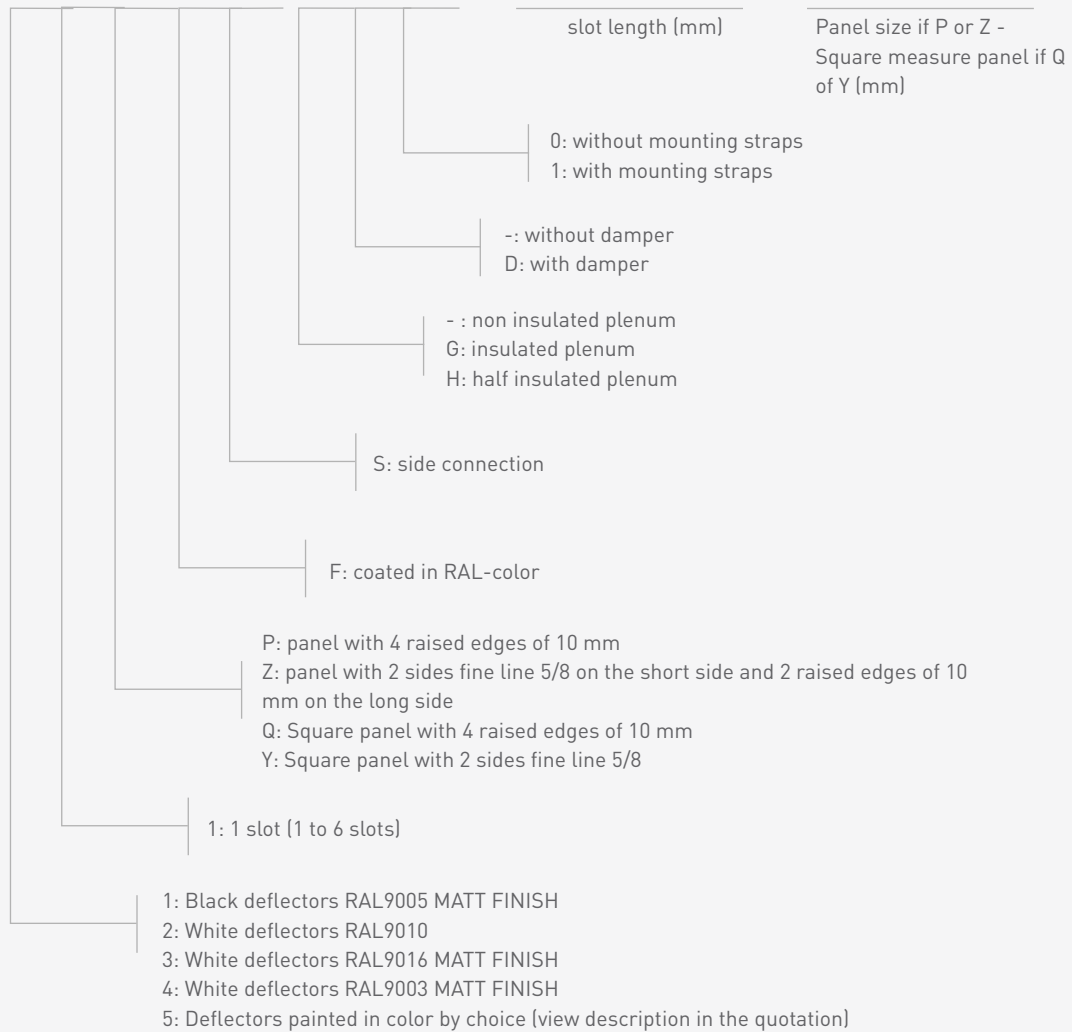


! Diffuser suitable for the mounting on a plenum box type **SPP** (fixed mounting)

ADJUSTABLE SLOT DIFFUSER WITH 20MM FLANGE

SLS SLS PANEL

S	L	S	1	4	P	F	S	G	D	0	1	2	0	0	1	2	5	0
---	---	---	---	---	---	---	---	---	---	---	---	---	---	---	---	---	---	---



S	L	S	1	4	P	F	1	2	0	0	1	2	5	0
---	---	---	---	---	---	---	---	---	---	---	---	---	---	---

